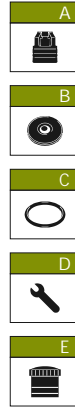
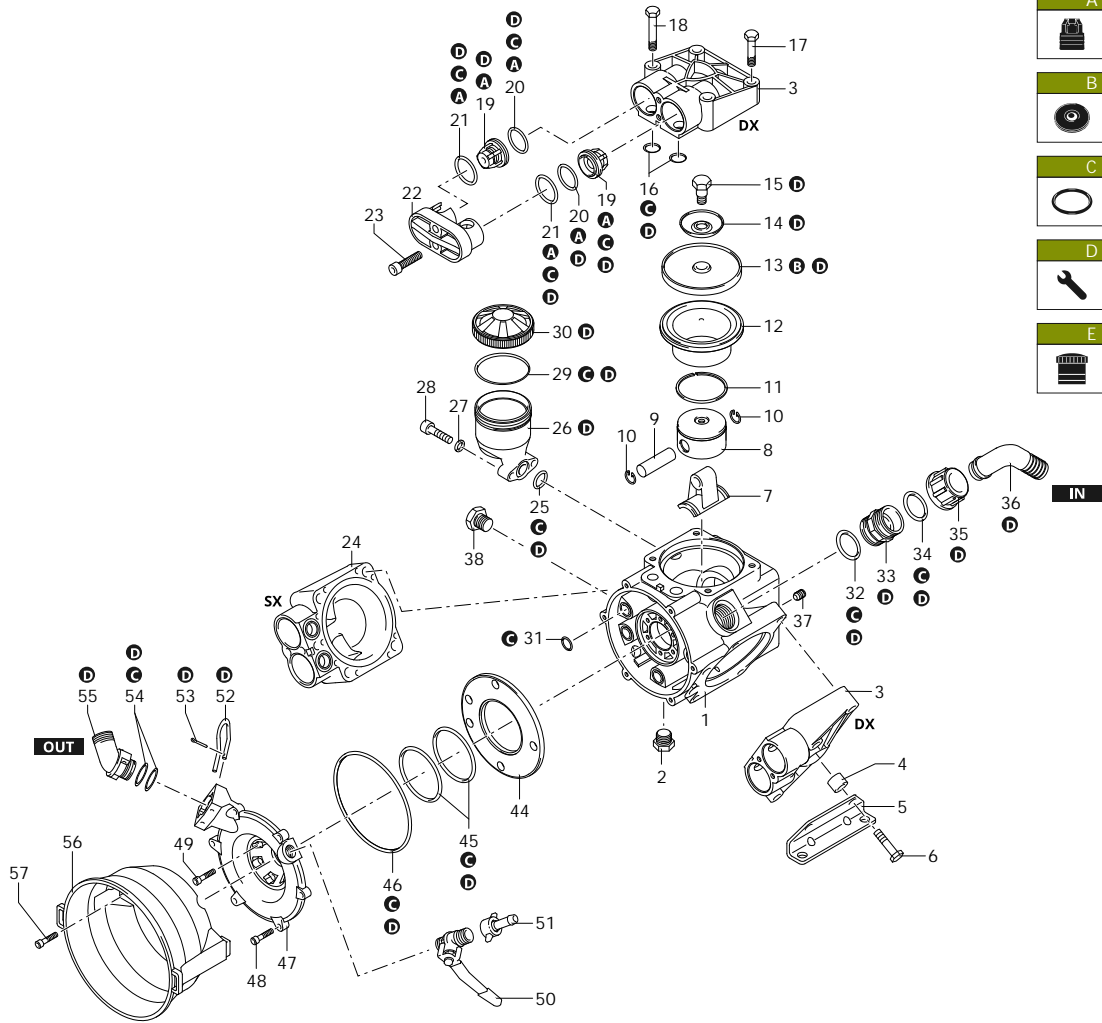




ELECTRIC MOTOR PUMP AR 503

32227 Elettropompa AR 503 G.C.I. - BlueFlex



Code	Description	Q	Note	Validity
1	1300010 Pump body		1	
2	880530 Plug	3/8" G	1 C=20Nm	
3	1300101 Head	dx	2	
4	1300280 Spacer		2	
5	1300090 Foot		2	
6	1300360 Screw	TE M10x65	4 C=40Nm	
7	1300140 Connecting-rod		3	
8	620120 Piston	Ø 56	3	
9	380300 Pin		3 Lubricate with Mineral Grease	
10	380080 Ring	seeger Øi 14	6	
11	160230 Piston ring		3	
12	1300110 Sleeve		3	
13	620082 Diaphragm	BlueFlex - Øe 96	3	
14	1040180 Plate		3	
15	580360 Hub pin		3 C=20Nm / Molykote 1000	
16	480441 O-ring	Ø 17,13x2,62 Viton	6 Lubricate Molykote G-807	
17	200230 Screw	TE M10x45	4 C=45Nm	
18	640230 Screw	TE M10x60	4 C=45Nm	
19	1409050 Valve		6	
20	620030 O-ring	Ø 25,80x3,53	6 Lubricate with motor oil	
21	540361 O-ring	Ø 33,05x1,78	6 Lubricate with motor oil	
22	1300190 Plug		3	
23	620610 Screw	TCEI M8x30	6 C=20Nm	
24	1300102 Head	sx	1	
25	390180 O-ring	Ø 18,72x2,62	1 Lubricate with motor oil	
26	1040310 Tank		1	
27	550331 Washer		2	
28	850850 Screw	TCEI M6x30	2 C=10Nm	
29	650920 O-ring	Ø 53,65x2,62	1 Lubricate with Mineral Grease	
30	1040326 Plug	black	1	
31	740291 O-ring	Ø 14x1,78	5 Lubricate Molykote PG54	
32	390290 O-ring	Ø 29x3	1 Lubricate Molykote PG54	
33	450120 Fitting	1" G - 1"1/4" G (M-M)	1	
34	390290 O-ring	Ø 29x3	1 Lubricate Molykote PG54	
35	580060 Ring nut	1"1/4 G	1	
36	580040 Elbow	Ø 30	1	
37	770070 Screw	M10x10	1 C=10Nm / Loxeal 83-21	
38	880530 Plug	3/8" G	1 C=20Nm	
44	1300020 Manifold plate		1	
45	640030 O-ring	Ø 59,99x2,62	2 Lubricate with motor oil	
46	1300270 O-ring	Ø 126,67x2,62	1 Lubricate with motor oil	
47	1300030 Line	delivery	1	
48	1040370 Screw	TCEI M6x22	3 C=10Nm	
49	880280 Screw	TCEI M6x18	6 C=10Nm	
50	130491 Valve	3/8" G - 1/2" G (M-M)	1 C=20Nm / Loxeal 55-14	
51	110131 Ring nut	1/2" G	1	

AR_01_049_v01

Customer: AR
Customer Code:



SAE 30
0,600 Kg

Revision: 1

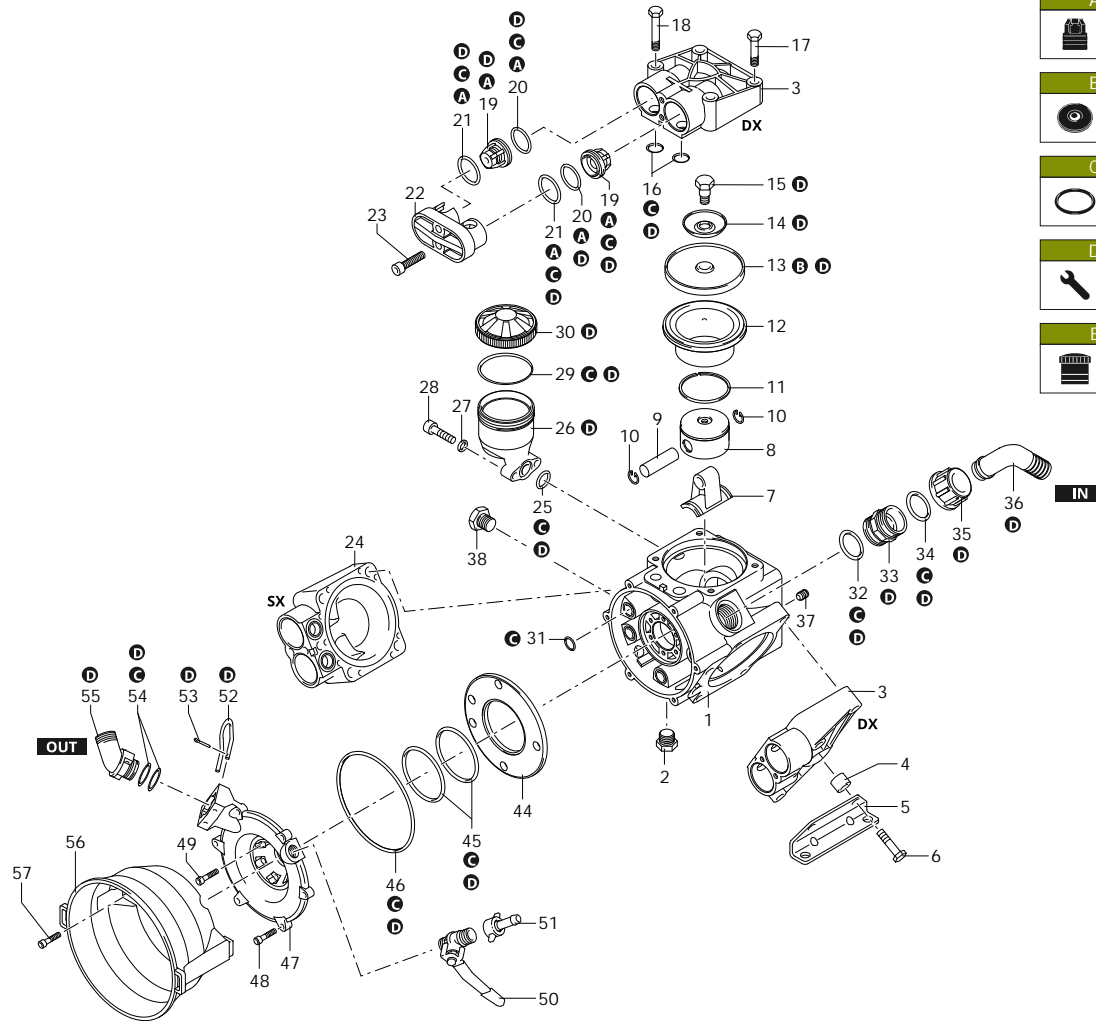
Date: 05/07/2024

Validity: < XX/YY = From week/year



ELECTRIC MOTOR PUMP AR 503

32227 ELETTROPOMPA AR 503 G.C.I. - BlueFlex



Code	Description	Q	Note	Validity
52	1040690 Fork	1		
53	1040950 Split pin	1		
54	390180 O-ring	Ø 18,72x2,62	2 Lubricate with motor oil	
55	1040760 Fitting	3/4" G	1	
56	1500130 Cardan protection		1	
57	1040370 Screw	TCEI M6x22	3 C=10Nm	
A	1987 Valve kit		1	
B	43198 Diaphragms kit	BlueFlex	1	
C	1984 O-ring kit		1	
D	47376 Maintenance repair kit	BlueFlex	1	
E	47193 Tank kit		1	

AR_01_049_v01

Customer: AR
Customer Code:



SAE 30
0,600 Kg

Revision: 1

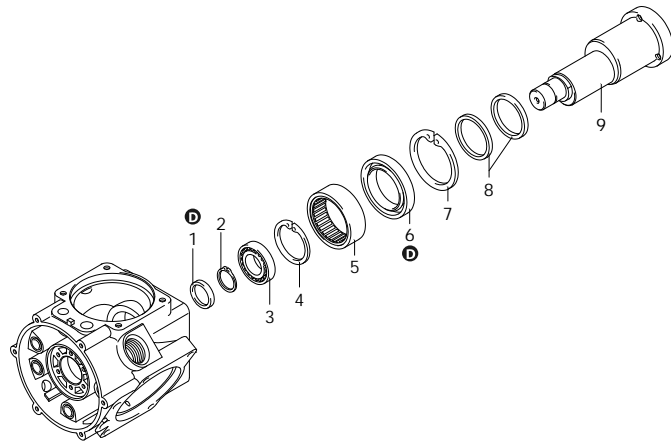
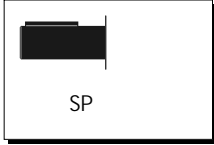
Date: 05/07/2024

Validity: < XX/YY = From week/year



ELECTRIC MOTOR PUMP AR 503

32227 ELETTROPOMPA AR 503 G.C.I. - BlueFlex



Code	Description		Q	Note	Validity
1	1300230 Ring	seal	1	Lubricate with Mineral Grease	
2	1300050 Ring	seeger Øe 25	1		
3	1320370 Bearing		1	Press Mount	
4	1260790 Ring	seeger Øi 52	1		
5	1300210 Bearing		1	Press Mount	
6	1300220 Ring	seal	1		
7	1300240 Ring	seeger Øi 70	1		
8	1300120 Ring	Connecting-rod	1		
9	1300170 Shaft	Z marked	1		
A	1987 Valve kit		1		
B	43198 Diaphragms kit	BlueFlex	1		
C	1984 O-ring kit		1		
D	47376 Maintenance repair kit	BlueFlex	1		

AR_03_035_v01

Customer: AR
Customer Code:



SAE 30
0,600 Kg

Revision: 1

Date: 05/07/2024

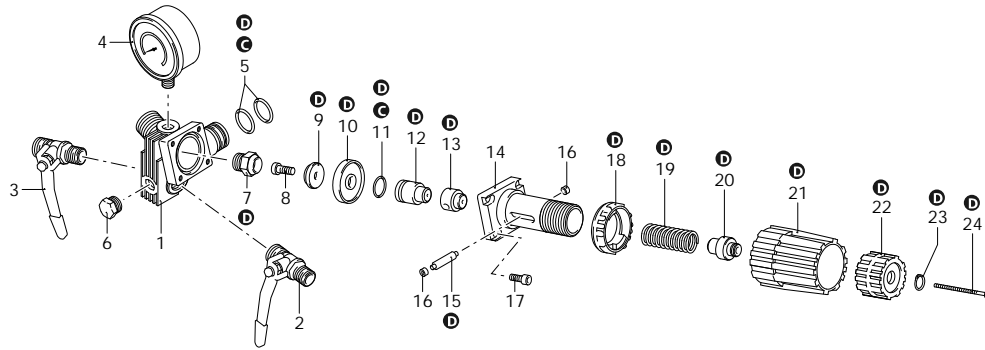
Validity: < XX/YY = From week/year



ELECTRIC MOTOR PUMP AR 503

32227 ELETTROPOMPA AR 503 G.C.I. - BlueFlex

920



Code	Description	Q	Note	Validity
1	1150500 Valve body		1	
2	130491 Valve	3/8" G - 1/2" G (M-M)	1 C=20Nm / Loxeal 55-14	
3	130492 Valve	3/8" G - 1/2" G (M-M)	1 C=20Nm / Loxeal 55-14	
4	550545 Pressure gauge	Ø63 - 0÷80bar	1	
5	390180 O-ring	Ø 18,72x2,62	2 Lubricate with motor oil	
6	130171 Plug	3/8" G	1 C=20Nm / Loxeal 55-14	
7	1150520 Seat		1 C=20Nm / Loxeal 55-14	
8	680560 Screw	TCEI M6x16	1 C=10Nm / Loxeal 55-14	
9	1040640 Valve		1	
10	1040631 Diaphragm	NBR - Øe 40	1	
11	880830 O-ring	Ø 15,54x2,62	1 Lubricate Molykote G-807	
12	1040621 Piston		1	
13	1150560 Spacer		1	
14	1150510 Body	upper	1	
15	1150540 Hub pin		1	
16	1150600 Ring		2	
17	780330 Screw	TCEI M6x20	4 C=10Nm	
18	1150530 Ring nut		1 Lubricate with Mineral Grease	
19	394760 Spring		1	
20	1150660 Spacer		1	
21	1150550 Knob		1	
22	1150570 Ring nut		1	
23	480550 Ring	seeger Øe 12	1	
24	1150650 Screw	TCTC M3x60	1 C=5Nm / Loxeal 55-14	
C	1988 O-ring kit		1	
D	1989 Maintenance repair kit	NBR	1	
920	920 Control units		1	

AR_05_037_v01

Customer: AR

Customer Code:



SAE 30
0,600 Kg

Revision: 1

Date: 05/07/2024

Validity: < XX/YY = From week/year

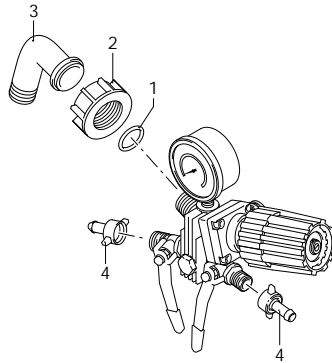


ELECTRIC MOTOR PUMP AR 503

32227 ELETTRPOMPA AR 503 G.C.I. - BlueFlex

KIT

977



Code	Description		Q	Note	Validity
1	880830 O-ring	Ø 15,54x2,62	1	Lubricate Molykote G-807	
2	550450 Ring nut	3/4" G	1		
3	550460 Elbow	Ø 18	1		
4	110131 Ring nut	1/2" G	2		
977	977 Kit for built-in control unit		1		

AR_05_018_v02

Customer: AR

Customer Code:



SAE 30
0,600 Kg

Revision: 1

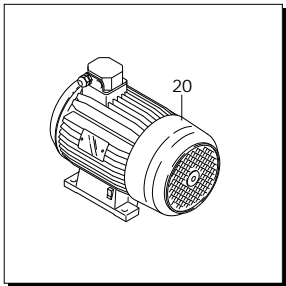
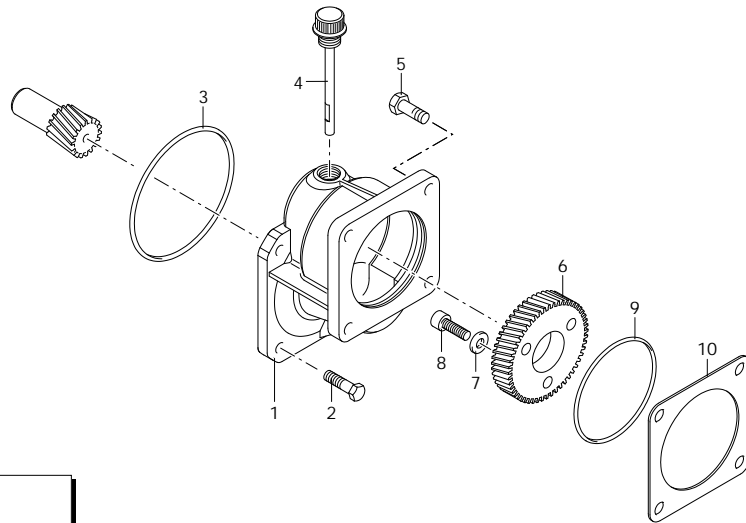
Date: 05/07/2024

Validity: < XX/YY = From week/year



ELECTRIC MOTOR PUMP AR 503

32227 ELETTROPOMPA AR 503 G.C.I. - BlueFlex



AR_07_026_v01

Code	Description	Q	Note	Validity
------	-------------	---	------	----------

1	651500 Box			1
2	180370 Screw	TCEI M8x25	4 C=20Nm	
3	651540 O-ring	Ø 107,62x2,62	1	
4	1140370 Plug		1	
5	160670 Screw	TE M10x25	4 C=40Nm	
6	651510 Middling gear	Z=40	1	
7	650530 Washer		3	
8	650330 Screw	TCEI M10x35	3 C=40Nm	
9	620561 O-ring	Ø 78x2,5	1 Lubricate with Mineral Grease	
10	650270 Gasket		1 Seal with Arexons Mastic	
20	4084 Motor		1 5,5 HP	

Customer: AR
Customer Code:



W 90
0,020 Kg

Revision: 1

Date: 05/07/2024

Validity: < XX/YY = From week/year