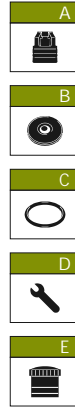
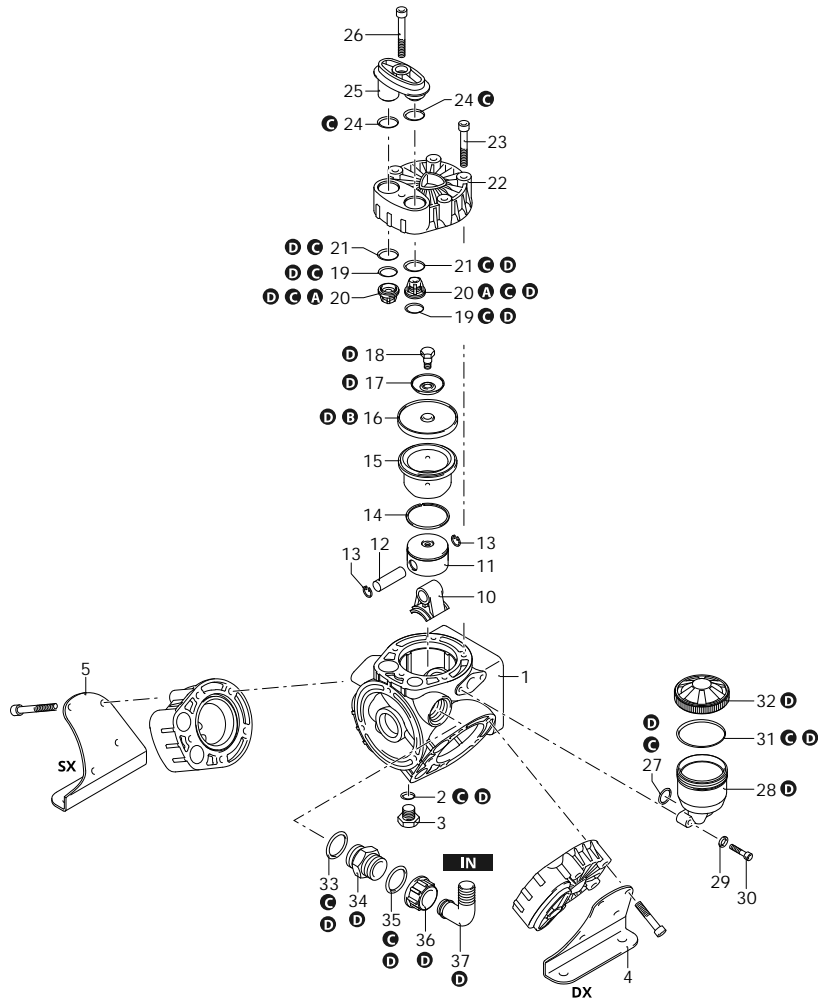




ELECTRIC MOTOR PUMP AR 303

32188 ELECTRIC MOTOR PUMP AR 303 G.C.I. - BlueFlex



Code	Description	Q	Note	Validity
1	1880010 Pump body		1	
2	740290 O-ring	Ø 14x1,78	2 Lubricate Molykote PG54	
3	880530 Plug	3/8" G	2 C=20Nm	
4	1880080 Foot		1	
5	1880090 Foot		1	
10	1880070 Connecting-rod		3	
11	1880060 Piston	Ø 50	3	
12	1880120 Pin		3	
13	380080 Ring	seeger Øi 14	6	
14	1880110 Piston ring		3	
15	1880051 Sleeve		3	
16	800082 Diaphragm	BlueFlex - Øe 72	3	
17	800350 Plate		3	
18	800090 Hub pin		3 C=20Nm / Molykote 1000	
19	1140450 O-ring	Ø 20,24x2,62	6 Lubricate Molykote PG54	
20	1889051 Complete valve		6	
21	780050 O-ring	Ø 28,252x1,78	6 Lubricate with motor oil	
22	1880030 Head		3	
23	800860 Screw	TCEI M8x55	12	
24	1880480 O-ring	Ø 25x2	6 Lubricate with motor oil	
25	1880040 Cover		3	
26	280080 Screw	TCEI M8x60	3	
27	390180 O-ring	Ø 18,72x2,62	1 Lubricate with motor oil	
28	1040310 Tank		1	
29	550331 Washer		2	
30	1200440 Screw	TCEI M6x35	2 C=10Nm	
31	650920 O-ring	Ø 53,65x2,62	1 Lubricate with Mineral Grease	
32	1040326 Plug	black	1	
33	390290 O-ring	Ø 29x3	1 Lubricate Molykote PG54	
34	550340 Fitting	1" G (M-M)	1	
35	550350 O-ring	Ø 23,81x2,62	1 Lubricate with Mineral Grease	
36	550880 Ring nut	1" G	1	
37	550370 Elbow	Ø 25	1	
A	2388 Valve kit		1	
B	43197 Diaphragms kit	BlueFlex	1	
C	2389 O-ring kit		1	
D	47420 Maintenance repair kit	BlueFlex	1	
E	47192 Tank kit		1	

AR_01_048_v01

Customer: AR
Customer Code:



SAE 30
0,400 Kg

Revision: 1

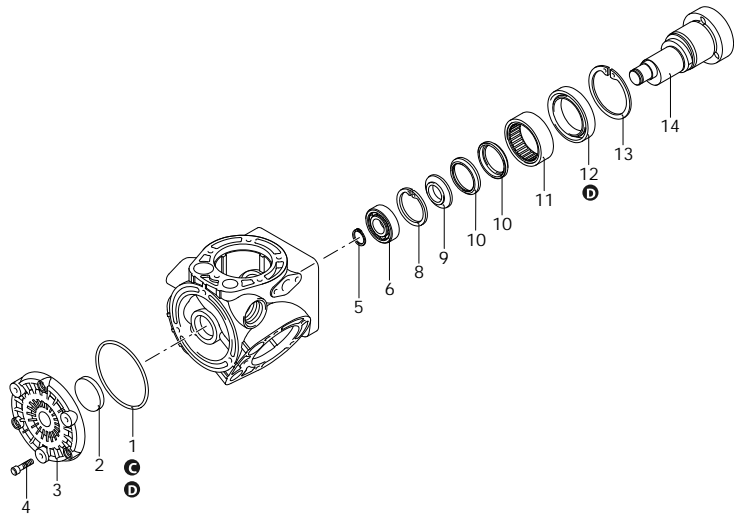
Date: 05/07/2024

Validity: < XX/YY = From week/year



ELECTRIC MOTOR PUMP AR 303

32188 ELECTRIC MOTOR PUMP AR 303 G.C.I. - BlueFlex



Code	Description		Q	Note	Validity
1	1880130 O-ring	Ø 88,57x2,62	1	Lubricate with motor oil	
2	1880380 Oil seal		1		
3	1880020 Line	intake	1		
4	780060 Screw	TCEI M6x25	3	C=10Nm	
5	620291 Ring	seeger Øe 20	1		
6	1461430 Bearing		1	Press Mount	
8	111120 Ring	seeger Øi 47	1		
9	1880170 Spacer		1		
10	1880180 Ring	Connecting-rod	2		
11	550060 Bushing		1	Press Mount	
12	620130 Ring	seal	1	Lubricate with Mineral Grease	
13	620330 Ring	seeger Øi 65	1		
14	1880101 Shaft	2 marked	1		
A	2388 Valve kit		1		
B	43197 Diaphragms kit	BlueFlex	1		
C	2389 O-ring kit		1		
D	47420 Maintenance repair kit	BlueFlex	1		

AR_03_031_v01

Customer: AR
Customer Code:



SAE 30
0,400 Kg

Revision: 1

Date: 05/07/2024

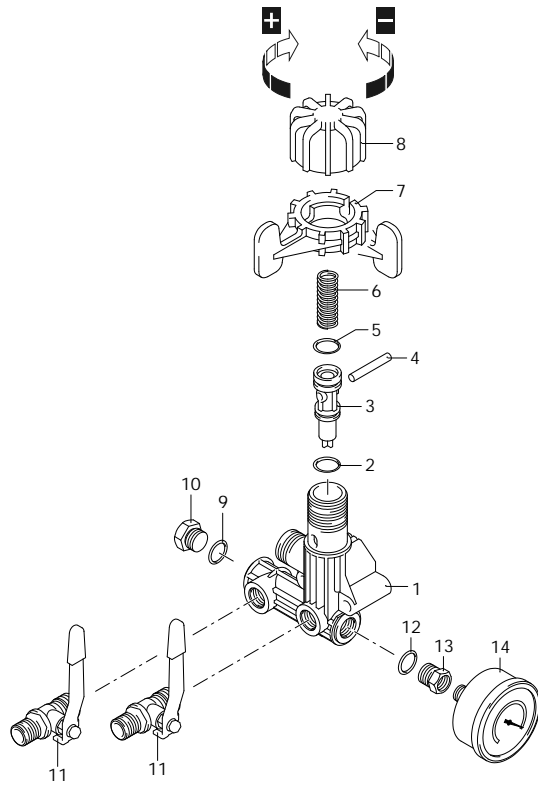
Validity: < XX/YY = From week/year



ELECTRIC MOTOR PUMP AR 303

32188 ELECTRIC MOTOR PUMP AR 303 G.C.I. - BlueFlex

880



Code	Description	Q	Note	Validity
1	1880200 Valve body			1
2	1880260 O-ring	Ø 15,08x2,62		1
3	1889201 Shutter			1
4	1880240 Pin			1
5	480441 O-ring	Ø 17,13x2,62 Viton		1 Lubricate Molykote PG54
6	1880271 Spring			1
7	1880210 Ring nut			1 Lubricate Molykote PG54
8	1880220 Knob			1
9	740290 O-ring	Ø 14x1,78		1 Lubricate Molykote PG54
10	2841240 Plug			1 C=10Nm
11	1880491 Valve	3/8" G - 1/2" G (M-M)		2 C=10Nm
12	740290 O-ring	Ø 14x1,78		1 Lubricate Molykote PG54
13	1880250 Fitting			1 C=2Nm / Loxeal 55-14
14	1880290 Pressure gauge	Ø63 - 0÷80bar		1
880	880 Control units			1

AR_05_023_v01

Customer: AR

Customer Code:



SAE 30
0,400 Kg

Revision: 1

Date: 05/07/2024

Validity: < XX/YY = From week/year

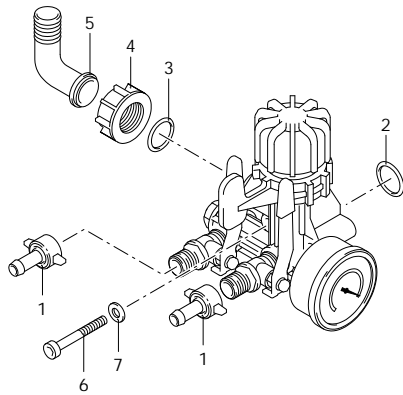


ELECTRIC MOTOR PUMP AR 303

32188 ELECTRIC MOTOR PUMP AR 303 G.C.I. - BlueFlex

KIT

976



Code	Description	Q	Note	Validity
1	110131 Ring nut	1/2" G	2	
2	1140450 O-ring	Ø 20,24x2,62	1	Lubricate Molykote PG54
3	880830 O-ring	Ø 15,54x2,62	1	Lubricate Molykote G-807
4	550450 Ring nut	3/4" G	1	
5	550460 Elbow	Ø 18	1	
6	680360 Screw	TCEI M8x50	2	C=20Nm
7	390311 Washer		2	
976	976 Kit for built-in control unit		1	

AR_05_024_v01

Customer: AR
Customer Code:



SAE 30
0,400 Kg

Revision: 1

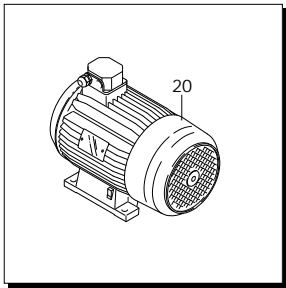
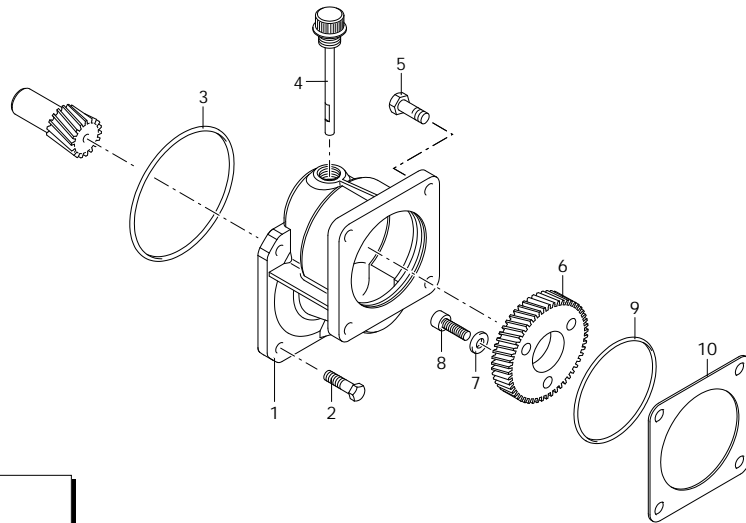
Date: 05/07/2024

Validity: < XX/YY = From week/year



ELECTRIC MOTOR PUMP AR 303

32188 ELECTRIC MOTOR PUMP AR 303 G.C.I. - BlueFlex



AR_07_026_v01

Code	Description	Q	Note	Validity
1	651500 Box		1	
2	180370 Screw	TCEI M8x25	4 C=20Nm	
3	651540 O-ring	Ø 107,62x2,62	1	
4	1140370 Plug		1	
5	160670 Screw	TE M10x25	4 C=40Nm	
6	651510 Middling gear	Z=40	1	
7	650530 Washer		3	
8	650330 Screw	TCEI M10x35	3 C=40Nm	
9	620561 O-ring	Ø 78x2,5	1 Lubricate with Mineral Grease	
10	650270 Gasket		1 Seal with Arexons Mastic	
20	4057 Motor		1 2 HP	

Customer: AR

Customer Code:



W 90
0,020 Kg

Revision: 1

Date: 05/07/2024

Validity: < XX/YY = From week/year