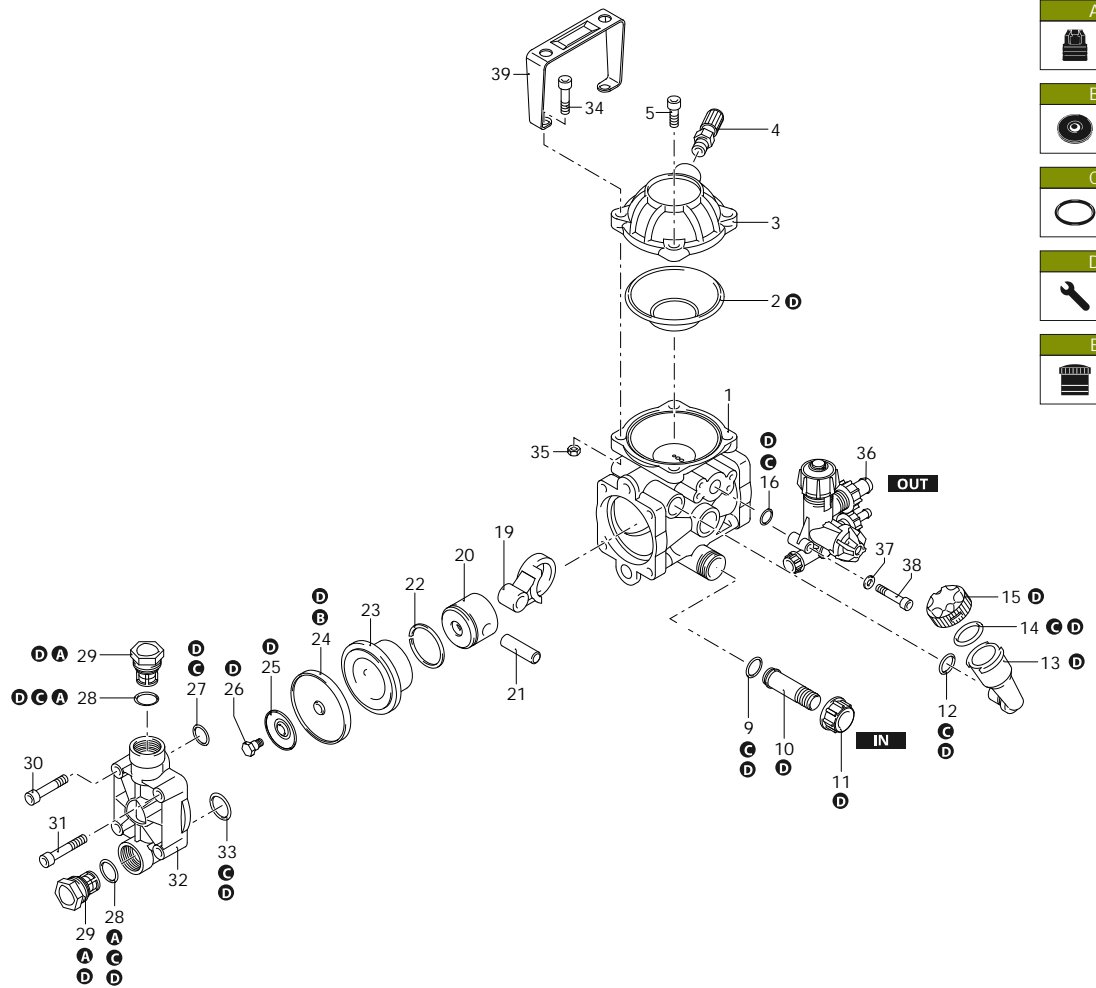




ELECTRIC MOTOR PUMP AR 202

32175 ELETTROPOMPA AR 202 G.C.I. - BlueFlex



AR_01_025_v01

Customer: AR
Customer Code:



SAE 30
0,340 Kg

Revision: 1

Date: 05/07/2024

Validity: < XX/YY = From week/year

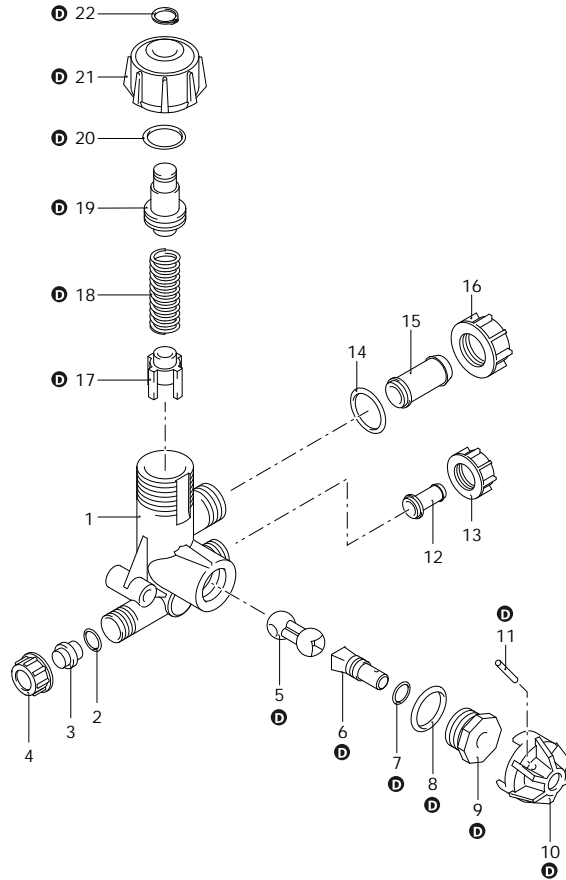
Code	Description		Q	Note	Validity
1	800010	Pump body		1	
2	800190	Diaphragm	NBR - Øe 94	1	
3	800230	Semi air chamber	upper	1	
4	800650	Air valve		1	C=20Nm / Loxeal 83-21
5	540290	Screw	TCEI M8x25	4	C=23Nm
9	390180	O-ring	Ø 18,72x2,62	1	Lubricate with motor oil
10	800340	Hose tail	Ø 20	1	
11	550450	Ring nut	3/4" G	1	
12	740290	O-ring	Ø 14x1,78	1	Lubricate Molykote PG54
13	801960	Tank		1	
14	550040	O-ring	Ø 26,65x2,62	1	Lubricate with motor oil
15	550052	Plug	black	1	
16	480440	O-ring	Ø 17,13x2,62	1	Lubricate Molykote G-807
19	800140	Connecting-rod		2	Lubricate with motor oil
20	802070	Piston	Ø 42	2	
21	800130	Pin		2	Lubricate with motor oil
22	802080	Piston ring		2	
23	802050	Sleeve		2	
24	800082	Diaphragm	BlueFlex - Øe 72	2	
25	802060	Sleeve		2	
26	800090	Hub pin		2	C=20Nm / Molykote 1000
27	800210	O-ring	Ø 13,10x2,62	2	Lubricate with motor oil
28	880830	O-ring	Ø 15,54x2,62	4	Lubricate Molykote G-807
29	809060	Complete valve		4	
30	800220	Screw	TCEI M8x45	7	C=20Nm
31	680360	Screw	TCEI M8x50	1	C=20Nm
32	801940	Head		2	
33	480440	O-ring	Ø 17,13x2,62	4	Lubricate Molykote G-807
34	680350	Screw	TCEI M8x35	3	C=10Nm
35	390270	Nut	M8	3	C=10Nm
36	1912	Regulation valve		1	
37	550331	Washer		2	
38	800410	Screw	TCEI M6x40	2	
39	800390	Knob		1	
A	2408	Valve kit		1	
B	43195	Diaphragms kit	BlueFlex	1	
C	2409	O-ring kit		1	
D	47421	Maintenance repair kit	BlueFlex	1	
E	42506	Tank kit		1	



ELECTRIC MOTOR PUMP AR 202

32175 ELETTROPOMPA AR 202 G.C.I. - BlueFlex

1912



Code	Description	Q	Note	Validity
1	800400 Body			1
2	800560 O-ring	Ø 8,73x1,78		1
3	800540 Plug			1
4	800520 Ring nut	3/8" G		1
5	800430 Valve			1
6	800490 Hub pin			1
7	800560 O-ring	Ø 8,73x1,78		1
8	480440 O-ring	Ø 17,13x2,62	1 Lubricate Molykote G-807	
9	800500 Ring nut			1
10	800510 Knob			1
11	390330 Pin			1
12	800530 Tube			1
13	800520 Ring nut	3/8" G		1
14	740290 O-ring	Ø 14x1,78	1 Lubricate Molykote PG54	
15	800670 Tube			1
16	800680 Ring nut	M22X1,5		1
17	800440 Guide			1
18	800450 Spring			1
19	800460 Guide			1
20	480440 O-ring	Ø 17,13x2,62	1 Lubricate Molykote G-807	
21	800470 Knob			1
22	480550 Ring	seeger Øe 12		1
D	1910 Maintenance repair kit			1
1912	1912 Regulation valve			1

AR_05_003_v01

Customer: AR
Customer Code:



SAE 30
0,340 Kg

Revision: 1

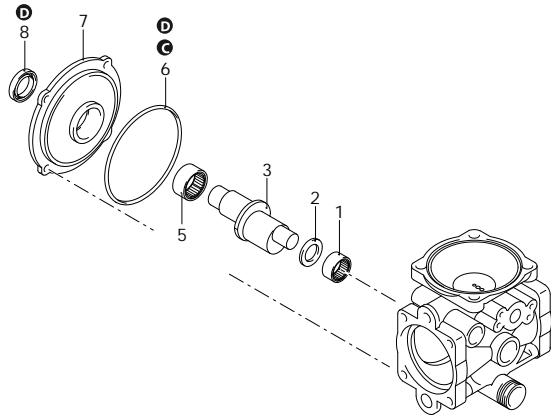
Date: 05/07/2024

Validity: < XX/YY = From week/year



ELECTRIC MOTOR PUMP AR 202

32175 ELETTROPOMPA AR 202 G.C.I. - BlueFlex



Code	Description	Q	Note	Validity
1	480370 Bushing		1 Lubricate with Mineral Grease	
2	800160 Spacer		1 Lubricate with Mineral Grease	
3	800170 Shaft	D marked	1	
5	800180 Bushing		1 Lubricate with Mineral Grease	
6	800380 O-ring	Ø 97x1,6	1 Lubricate with motor oil	
7	800020 Flange		1	
8	800200 Ring	seal	1	
A	2408 Valve kit		1	
B	43195 Diaphragms kit	BlueFlex	1	
C	2409 O-ring kit		1	
D	47421 Maintenance repair kit	BlueFlex	1	

AR_03_042_v01

Customer: AR
Customer Code:



SAE 30
0,340 Kg

Revision: 1

Date: 05/07/2024

Validity: < XX/YY = From week/year

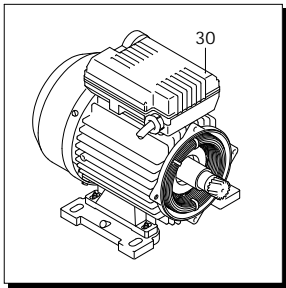
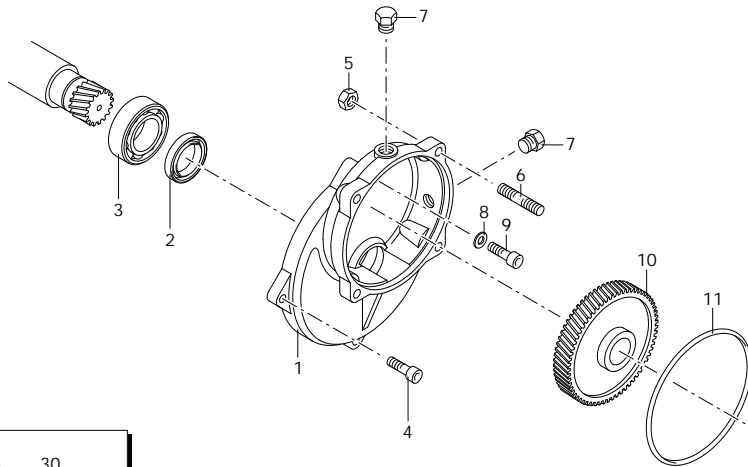


ELECTRIC MOTOR PUMP AR 202

32175 ELETTROPOMPA AR 202 G.C.I. - BlueFlex

Code	Description	Q	Note	Validity
------	-------------	---	------	----------

1	801410 Flange		1	
2	800300 Ring	seal	1	Lubricate with Mineral Grease
3	1340340 Bearing		1	
4	1260760 Screw	TCEI M5x20	3	C=10Nm
5	390440 Nut	M6	4	C=10Nm
6	550330 Stud		4	C=10Nm / Loxeal 55-14
7	620301 Plug	1/8" G	2	C=10Nm / Loxeal 59-10
8	851280 Washer		1	
9	1260760 Screw	TCEI M5x20	1	C=10Nm
10	800280 Middling gear	Z=57	1	
11	800380 O-ring	Ø 97x1,6	1	Lubricate with motor oil
30	4030 Motor		1	1,5 HP



AR_07_018_v01

Customer: AR
Customer Code:



W 90
0,020 Kg

Revision: 1

Date: 05/07/2024

Validity: < XX/YY = From week/year