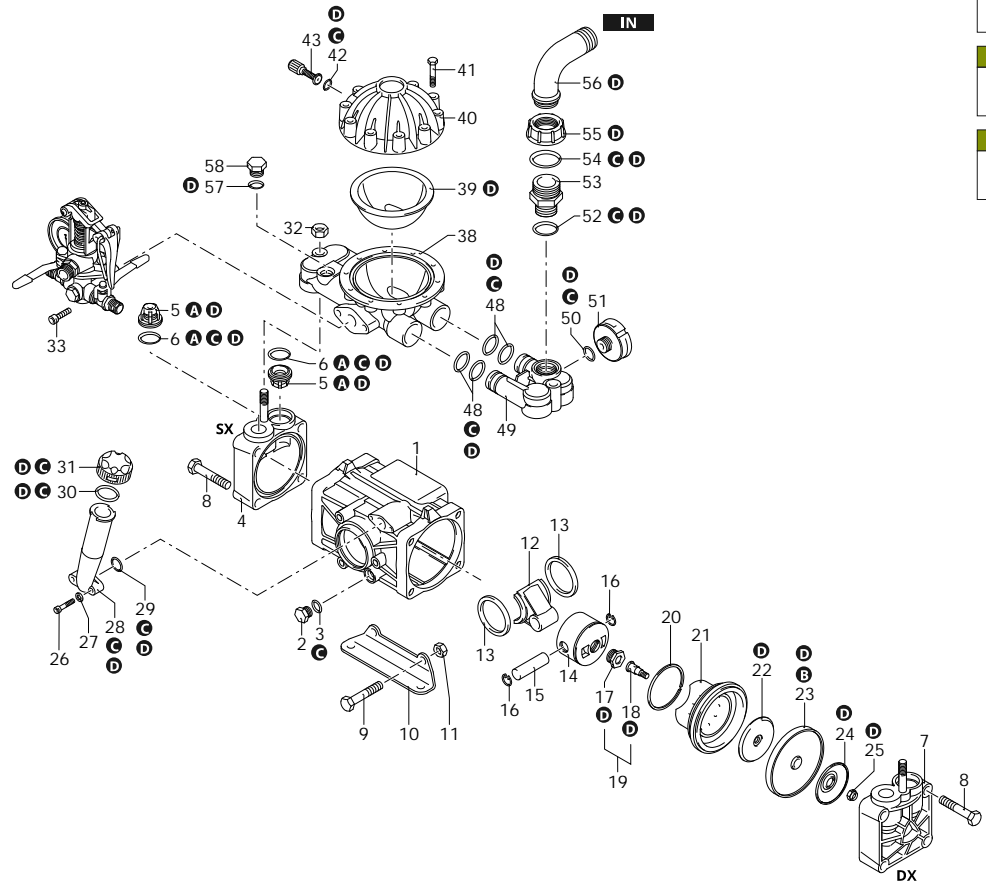




ELECTRIC MOTOR PUMP AR 50

32222 ELECTRIC MOTOR PUMP AR 50 G.C.I. - BlueFlex



Code	Description		Q	Note	Validity
55	550870 Ring nut	1"1/4 G	1		
56	580040 Elbow	Ø 30	1		
57	180101 O-ring	Ø 17,5x2	1	Lubricate with motor oil	
58	330170 Plug	1/2" G	1		
A	1920 Valve kit		1		
B	43200 Diaphragms kit	BlueFlex	1		
C	1919 O-ring kit		1		
D	47491 Maintenance repair kit	BlueFlex	1		

AR_01_088_v01

Customer: AR
Customer Code:



SAE 30
1,000 Kg

Revision: 1

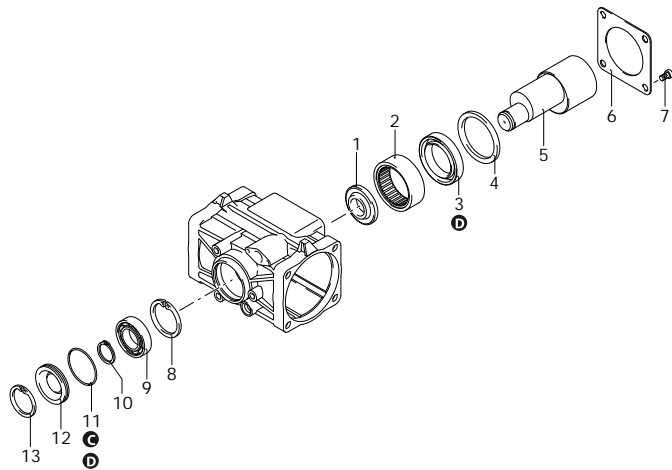
Date: 05/07/2024

Validity: < XX/YY = From week/year



ELECTRIC MOTOR PUMP AR 50

32222 ELECTRIC MOTOR PUMP AR 50 G.C.I. - BlueFlex



Code	Description	Q	Note	Validity
1	650160 Spacer	1		
2	650200 Bearing	1	Press Mount	
3	1400150 Ring	1	Lubricate with Mineral Grease	
4	1400110 Ring	1		
5	650170 Shaft	1	S marked	
6	1400140 Flange	1		
7	820670 Screw	4	TCEI M10x16 C=10Nm	
8	161050 Ring	1	seeger Øi 72	
9	230330 Bearing	1		
10	650480 Ring	1	seeger Øe 30	
11	650920 O-ring	1	Ø 53,65x2,62 Lubricate with Mineral Grease	
12	650040 Cover	1	Lubricate with motor oil	
13	200390 Ring	1	seeger Øi 62	
A	1920 Valve kit	1		
B	43200 Diaphragms kit	1	BlueFlex	
C	1919 O-ring kit	1		
D	47491 Maintenance repair kit	1	BlueFlex	

AR_03_092_v01

Customer: AR
Customer Code:



SAE 30
1,000 Kg

Revision: 1

Date: 05/07/2024

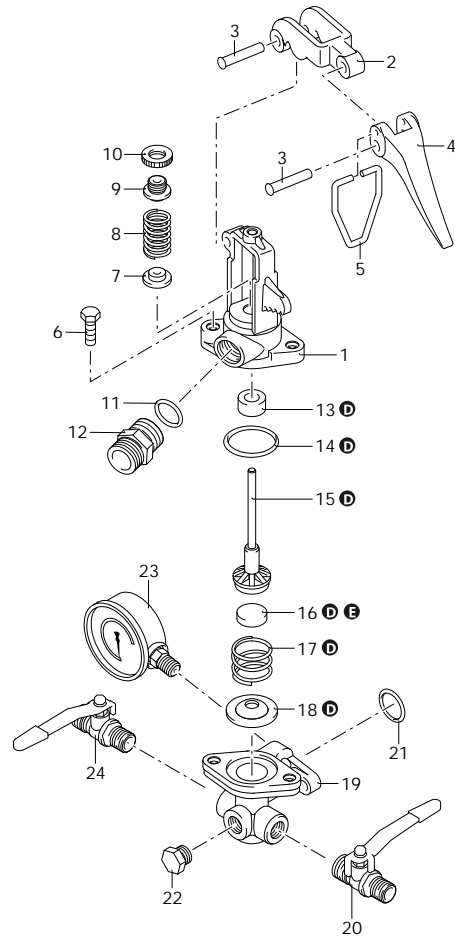
Validity: < XX/YY = From week/year



ELECTRIC MOTOR PUMP AR 50

32222 ELECTRIC MOTOR PUMP AR 50 G.C.I. - BlueFlex

900



Code	Description	Q	Note	Validity
1	320410 Body valve	1		
2	320460 Fork	1		
3	320480 Hub pin	2		
4	320470 Lever	1		
5	320490 Support	1		
6	180370 Screw	TCEI M8x25	2 C=20Nm	
7	230120 Wobble plate		1	
8	110190 Spring		1	
9	320440 Ring nut		1	
10	320450 Wobble plate		1	
11	180101 O-ring	Ø 17,5x2	1 Lubricate with motor oil	
12	550440 Fitting	1/2" G - 3/4" G (M-M)	1	
13	390140 Gasket	NBR	1	
14	320511 O-ring	Ø 37,8x4	1	
15	320433 Complete stem		1	
16	110121 Spacer	Vulkolan	1	
17	320420 Spring		1	
18	450110 Seat		1	
19	620220 Control unit		1	
20	130492 Valve	3/8" G - 1/2" G (M-M)	1 C=20Nm / Loxeal 55-14	
21	550350 O-ring	Ø 23,81x2,62	1 Lubricate with Mineral Grease	
22	130171 Plug	3/8" G	1 C=20Nm / Loxeal 55-14	
23	550545 Pressure gauge	Ø63 - 0÷80bar	1	
24	130491 Valve	3/8" G - 1/2" G (M-M)	1 C=20Nm / Loxeal 55-14	
D	1925 Maintenance repair kit	Vulkolan	1	
900	900 Control units		1	
E	1922 Spacer kit	Vulkolan	1	

AR_05_017_v01

Customer: AR
Customer Code:



SAE 30
1,000 Kg

Revision: 1

Date: 05/07/2024

Validity: < XX/YY = From week/year

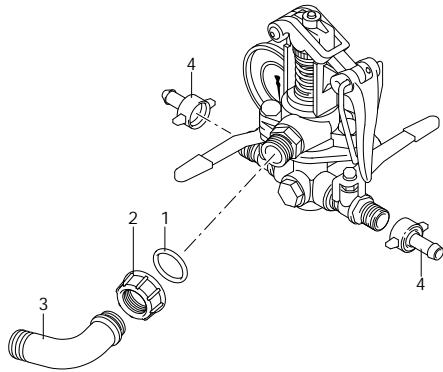


ELECTRIC MOTOR PUMP AR 50

32222 ELECTRIC MOTOR PUMP AR 50 G.C.I. - BlueFlex

KIT

977



Code	Description		Q	Note	Validity
1	880830 O-ring	Ø 15,54x2,62	1	Lubricate Molykote G-807	
2	550450 Ring nut	3/4" G	1		
3	550460 Elbow	Ø 18	1		
4	110131 Ring nut	1/2" G	2		
977	977 Kit for built-in control unit		1		

AR_05_018_v01

Customer: AR
Customer Code:



SAE 30
1,000 Kg

Revision: 1

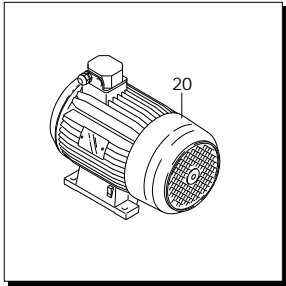
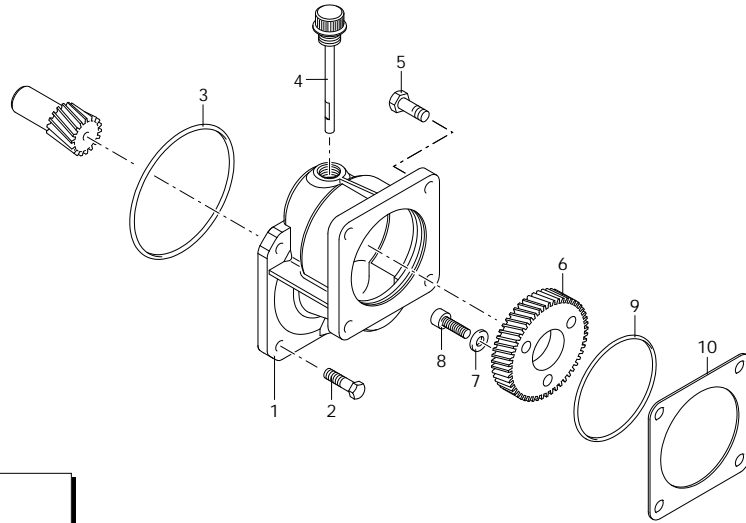
Date: 05/07/2024

Validity: < XX/YY = From week/year



ELECTRIC MOTOR PUMP AR 50

32222 ELECTRIC MOTOR PUMP AR 50 G.C.I. - BlueFlex



AR_07_026_v01

Code	Description	Q	Note	Validity
------	-------------	---	------	----------

1	651500 Box			1
2	180370 Screw	TCEI M8x25		4 C=20Nm
3	651540 O-ring	Ø 107,62x2,62		1
4	1140370 Plug			1
5	160670 Screw	TE M10x25		4 C=40Nm
6	651510 Middling gear	Z=40		1
7	650530 Washer			3
8	650330 Screw	TCEI M10x35		3 C=40Nm
9	620561 O-ring	Ø 78x2,5		1 Lubricate with Mineral Grease
10	650270 Gasket			1 Seal with Arexons Mastic
20	4084 Motor			1 5,5 HP

Customer: AR

Customer Code:



W 90
0,020 Kg

Revision: 1

Date: 05/07/2024

Validity: < XX/YY = From week/year