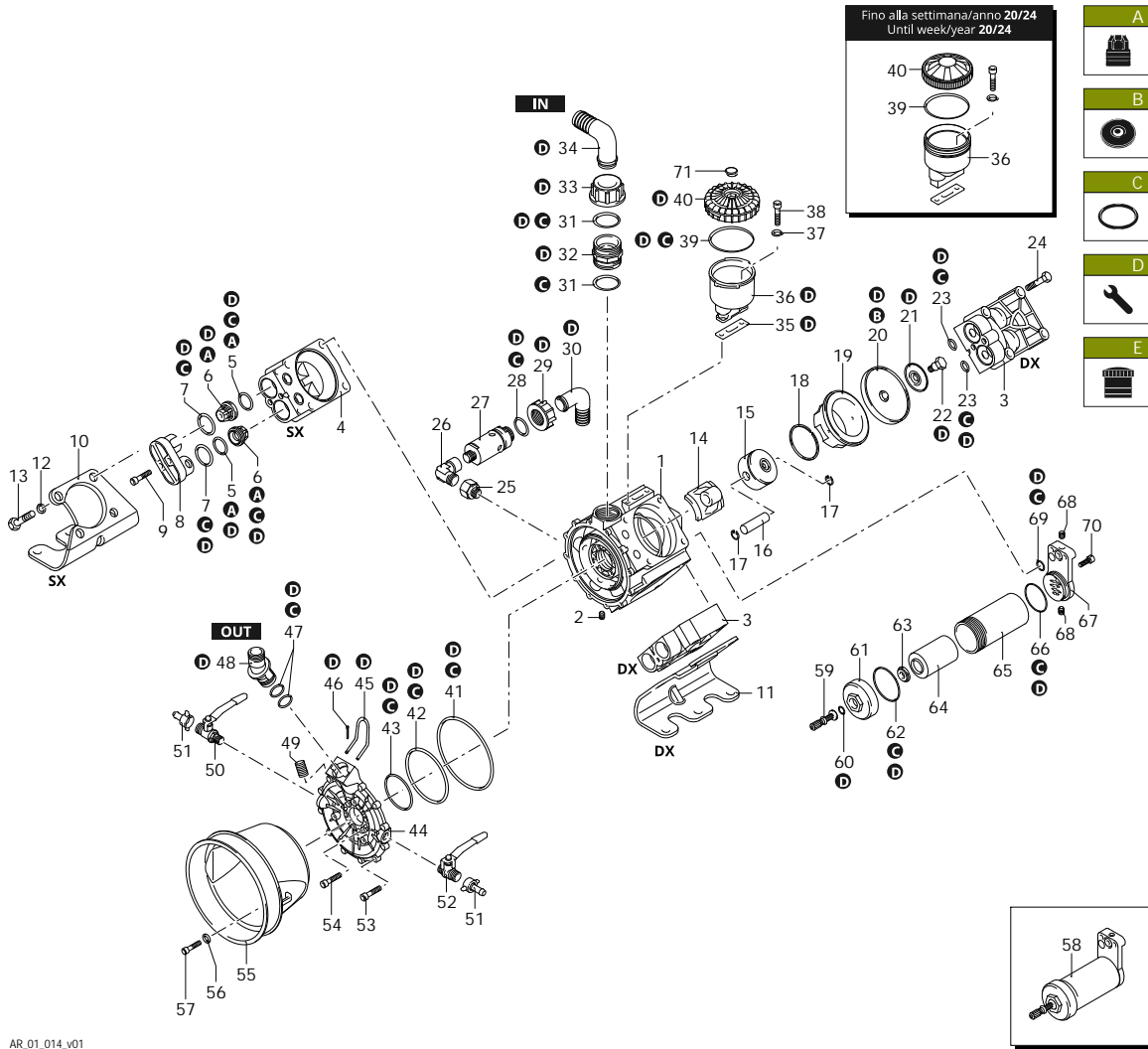




# AR 1064

732 AR 1064 AP C/F Ø 1"3/8 - NBR



AR\_01\_014\_v01

Customer: AR  
Customer Code:



SAE 30  
0,800 Kg

Revision: 1

Date: 05/07/2024

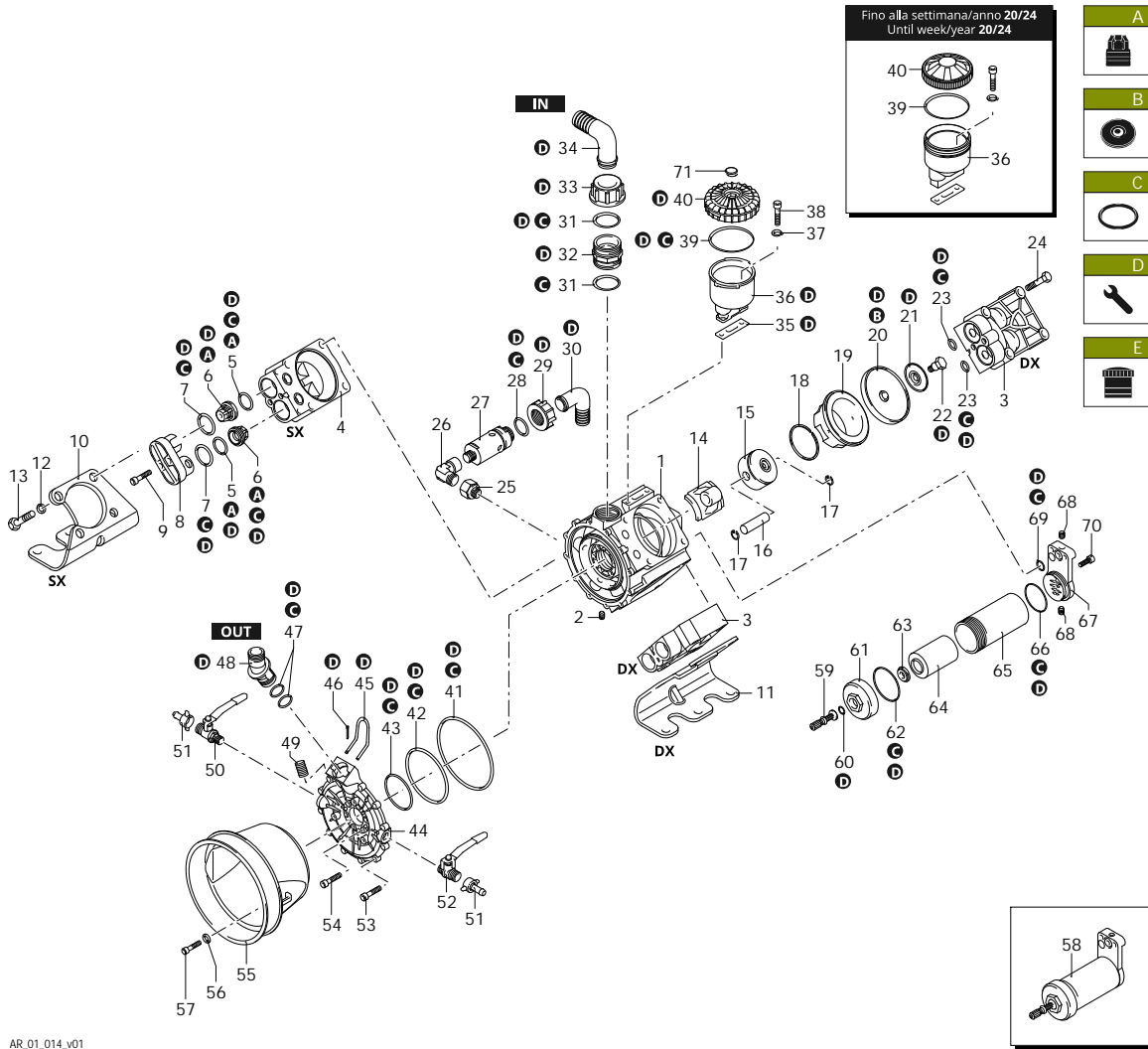
Validity: < XX/YY = From week/year

Code	Description	Q	Note	Validity
1	1820040 Pump body		1	
2	1820030 Screw	M10x12	1 C=20Nm / Loxeal 83-21	
3	1040551 Head	dx	2	
4	1040552 Head	sx	2	
5	620030 O-ring	Ø 25,80x3,53	8 Lubricate with motor oil	
6	1409050 Valve		8	
7	540361 O-ring	Ø 33,05x1,78	8 Lubricate with motor oil	
8	1300190 Plug		4	
9	620610 Screw	TCEI M8x30	8 C=20Nm	
10	1820080 Foot		1	
11	1820070 Foot		1	
12	250141 Washer		8	
13	750060 Screw	TE M12x65	8 C=50Nm	
14	1800050 Connecting-rod		4	
15	1040120 Piston	Ø 63	4	
16	1040070 Pin		4 Lubricate with Mineral Grease	
17	1040270 Ring	seeger Øi 15	8	
18	650190 Piston ring		4	
19	1500080 Sleeve		4	
20	1040081 Diaphragm	NBR - Øe 105	4	
21	1040180 Plate		4	
22	580361 Hub pin		4 C=30Nm / P-40 Grease	
23	960160 O-ring	Ø 17,86x2,62	8 Lubricate Molykote PG54	
24	1480040 Screw	TE M12x60	8 C=50Nm	
25	881461 Threaded adapter	3/8" G - 1/2" G	1 C=20Nm / Loxeal 83-21	
26	881560 Fitting	1/2" G (M-F)	1 C=20Nm / Loxeal 83-21	
27	1609002 Safety valve	50 bar	1 C=10Nm / Loxeal 24-18	
28	880831 O-ring	Ø 15,54x2,62 Viton	1 Lubricate Molykote G-807	
29	550450 Ring nut	3/4" G	1	
30	550460 Elbow	Ø 18	1	
31	250310 O-ring	Ø 36,14x2,62	2 Lubricate with motor oil	
32	540530 Fitting	1"1/4 G - 1"3/4 G (M-M)	C=20Nm	
33	540540 Ring nut	1" 3/4 G	1	
34	540550 Elbow	Ø 40	1	
35	750040 Gasket		1 Seal with Arexons Mastic	
36	750030 Tank	threaded	1	< 20/24
36	750031 Tank	with bayonet	1	
37	380241 Washer		2	
38	680350 Screw	TCEI M8x35	2 C=10Nm	
39	1040060 O-ring	Ø 72,69x2,62	1 Lubricate Molykote Longterm W2	< 20/24
39	580230 O-ring	Ø 69,52x2,62	1	
40	1800060 Plug	threaded - black	1	< 20/24
40	4700620 Plug	with bayonet - black	1	
41	1400120 O-ring	Ø 145,72x2,62	1 Lubricate with motor oil	
42	1800161 O-ring	Ø 113,97x2,62 Viton	1 Lubricate with motor oil	
43	1040060 O-ring	Ø 72,69x2,62	1 Lubricate Molykote Longterm W2	



# AR 1064

732 AR 1064 AP C/F Ø 1"3/8 - NBR



AR\_01\_014\_v01

Code	Description	Q	Note	Validity
44	1800150 Line		intake/delivery	1
45	1040690 Fork			1
46	1040950 Split pin			1
47	390180 O-ring	Ø 18,72x2,62	2 Lubricate with motor oil	
48	1040760 Fitting	3/4" G		1
49	1800240 Screw		1 C=20Nm / Loxeal 55-14	
50	130492 Valve	3/8" G - 1/2" G (M-M)	1 C=20Nm / Loxeal 55-14	
51	110131 Ring nut	1/2" G	2	
52	130491 Valve	3/8" G - 1/2" G (M-M)	1 C=20Nm / Loxeal 55-14	
53	1040370 Screw	TCEI M6x22	12 C=10Nm	
54	780060 Screw	TCEI M6x25	6 C=10Nm	
55	1500470 Cardan protection	Ø 239 mm		1
56	881710 Washer			3
57	1343510 Screw	TCEI M6x14	3 C=10Nm	
58	1538 Air chamber	NBR		1
59	1800350 Air valve		1 C=4Nm / Loxeal 55-14	
60	650542 Gasket		1 Lubricate with motor oil	
61	1800270 Cover		1 Lubricate with motor oil	
62	650560 O-ring	Ø 56,82x2,62	1 Lubricate with motor oil	
63	1800311 Plate			1
64	1800300 Diaphragm	NBR		1
65	1800280 Tube		1 C=20Nm / Loxeal 83-21	
66	540360 O-ring	Ø 44,12x2,62	1 Lubricate with motor oil	
67	1800320 Fitting		1 C=20Nm	
68	1040470 Screw	M10x8	2 C=20Nm / Loxeal 83-21	
69	640070 O-ring	Ø 13,95x2,62	1 Lubricate Molykote G-807	
70	320360 Screw	TCEI M8x22	2 C=20Nm	
71	751780 Plug			1
A	1964 Valve kit			1
B	1953 Diaphragms kit	NBR		1
C	43022 O-ring kit			1
D	43023 Maintenance repair kit	NBR		1
E	47197 Tank kit			1

Customer: AR  
Customer Code:



SAE 30  
0,800 Kg

Revision: 1

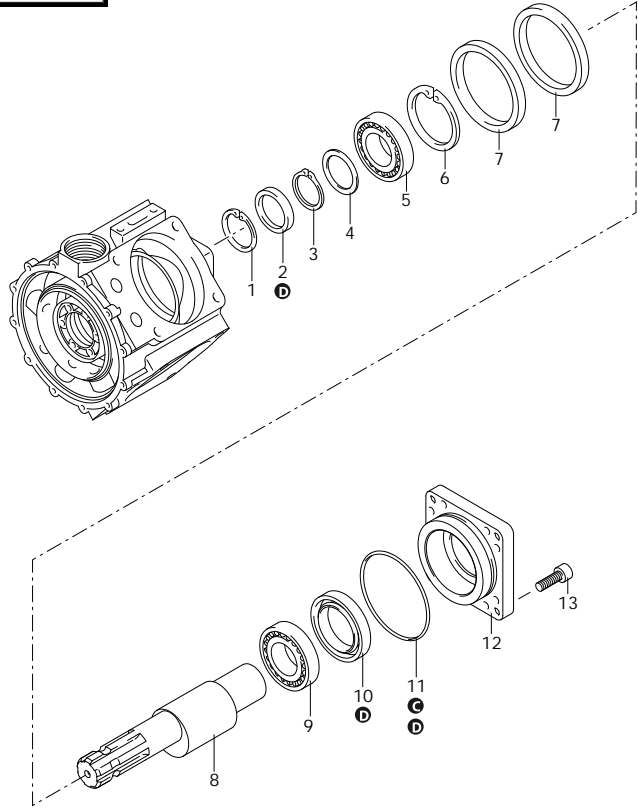
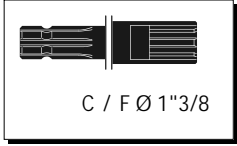
Date: 05/07/2024

Validity: < XX/YY = From week/year



# AR 1064

732 AR 1064 AP C/F Ø 1"3/8 - NBR



Code	Description		Q	Note	Validity
1	1460490 Ring	seeger Øi 47	1		
2	1040050 Ring	seal	1	Lubricate with Mineral Grease	
3	1040570 Ring	seeger Øe 35	1		
4	1040850 Spacer		1		
5	1800170 Bearing		1		
6	161050 Ring	seeger Øi 72	1		
7	1040340 Ring	Connecting-rod	2		
8	1800190 Shaft	Q marked	1		
9	230310 Bearing		1	Press Mount	
10	200150 Ring	seal	1		
11	1040060 O-ring	Ø 72,69x2,62	1	Lubricate Molykote Longterm W2	
12	1800120 Flange		1		
13	180030 Screw	TCEI M8x20	8	C=20Nm	
A	1964 Valve kit		1		
B	1953 Diaphragms kit	NBR	1		
B	1953 Diaphragms kit	NBR	1		
C	43022 O-ring kit		1		
D	43023 Maintenance repair kit	NBR	1		

AR\_03\_026\_v01

Customer: AR  
Customer Code:



SAE 30  
0,800 Kg

Revision: 1

Date: 05/07/2024

Validity: < XX/YY = From week/year