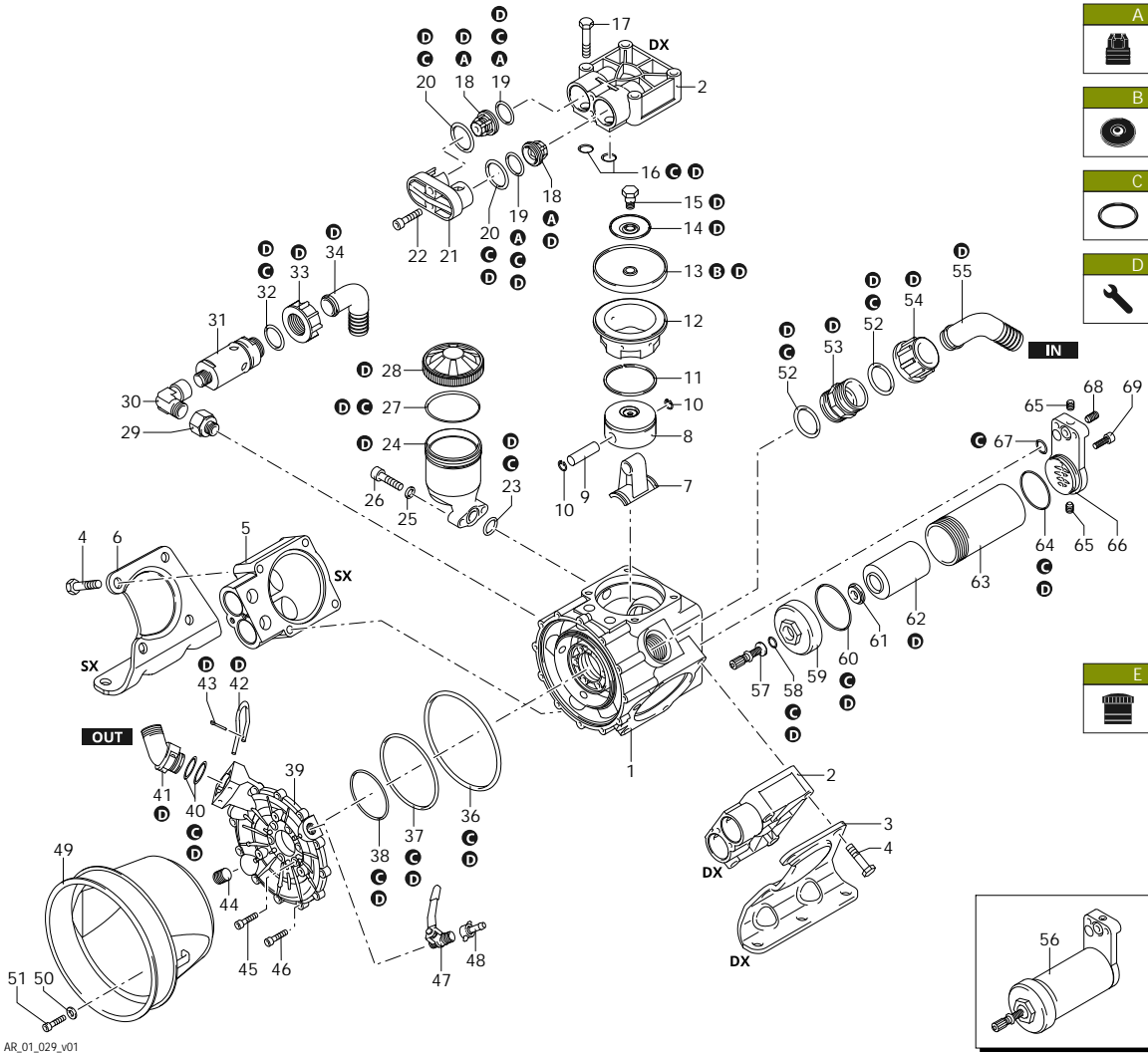




# AR 713

624 AR 713 AP C/SP - NBR



AR\_01\_029\_v01

Code	Description	Q	Note	Validity
1	1800140 Pump body	1		
2	1040551 Head	dx		
3	1800430 Foot			
4	750060 Screw	TE M12x65	8 C=50Nm	
5	1040552 Head	sx		
6	1800440 Foot			
7	1800360 Connecting-rod			
8	1040120 Piston	Ø 63		
9	1040070 Pin		3 Lubricate with Mineral Grease	
10	1040270 Ring	seeger Øi 15		
11	650190 Piston ring			
12	1040110 Sleeve			
13	1040081 Diaphragm	NBR - Øe 105		
14	1040180 Plate			
15	580361 Hub pin		3 C=30Nm / P-40 Grease	
16	960160 O-ring	Ø 17,86x2,62	6 Lubricate Molykote PG54	
17	1480040 Screw	TE M12x60	4 C=50Nm	
18	1409050 Valve			
19	620030 O-ring	Ø 25,80x3,53	6 Lubricate with motor oil	
20	540361 O-ring	Ø 33,05x1,78	6 Lubricate with motor oil	
21	1300190 Plug			
22	620610 Screw	TCEI M8x30	6 C=20Nm	
23	390180 O-ring	Ø 18,72x2,62	1 Lubricate with motor oil	
24	680031 Tank			
25	380241 Washer			
26	680350 Screw	TCEI M8x35	2 C=10Nm	
27	1040060 O-ring	Ø 72,69x2,62	1 Lubricate Molykote Longterm W2	
28	750051 Plug	threaded - green		
29	881461 Threaded adapter	3/8" G - 1/2" G	1 C=20Nm / Loxeal 83-21	
30	881560 Fitting	1/2" G (M-F)	1 C=20Nm / Loxeal 83-21	
31	1609001 Safety valve	40 bar	1 C=10Nm / Loxeal 24-18	
32	880831 O-ring	Ø 15,54x2,62 Viton	1 Lubricate Molykote G-807	
33	550450 Ring nut	3/4" G		
34	550460 Elbow	Ø 18		
36	1400120 O-ring	Ø 145,72x2,62	1 Lubricate with motor oil	
37	1800161 O-ring	Ø 113,97x2,62 Viton	1 Lubricate with motor oil	
38	1040060 O-ring	Ø 72,69x2,62	1 Lubricate Molykote Longterm W2	
39	1800150 Line	intake/delivery		
40	390180 O-ring	Ø 18,72x2,62	2 Lubricate with motor oil	
41	1040760 Fitting	3/4" G		
42	1040690 Fork			
43	1040950 Split pin			
44	1800240 Screw		2 C=20Nm / Loxeal 55-14	
45	780060 Screw	TCEI M6x25	6 C=10Nm	
46	1040370 Screw	TCEI M6x22	12 C=10Nm	
47	130491 Valve	3/8" G - 1/2" G (M-M)	1 C=20Nm / Loxeal 55-14	

Customer: AR  
Customer Code:



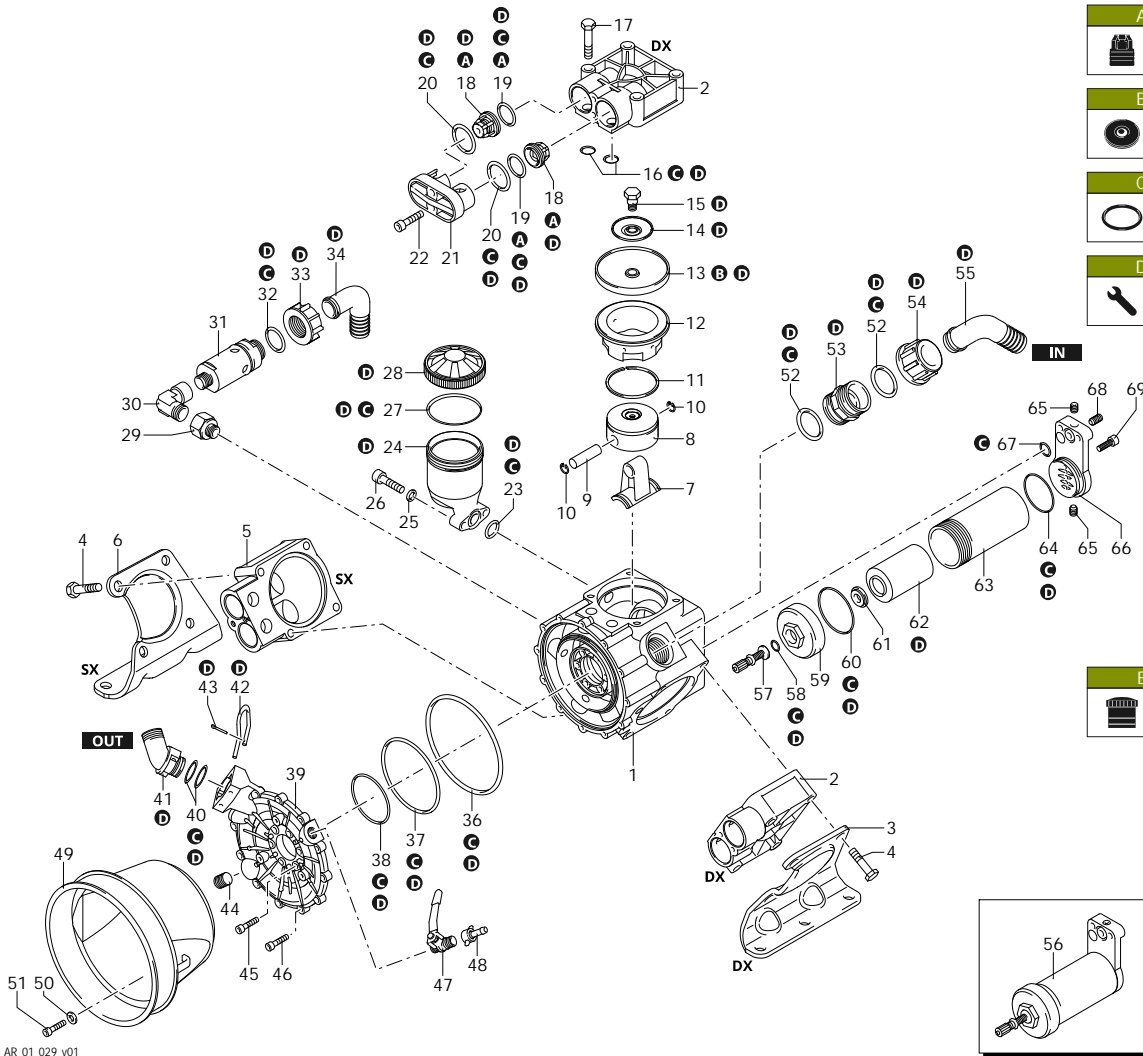
Revision: 1  
Date: 05/07/2024

Validity: < XX/YY = From week/year



# AR 713

624 AR 713 AP C/SP - NBR



AR\_01\_029\_v01

Code	Description		Q	Note	Validity
48	110131 Ring nut	1/2" G	1		
49	1500350 Cardan protection	ø 199 mm	1		
50	881710 Washer		3		
51	1343510 Screw	TCEI M6x14	3	C=10Nm	
52	250310 O-ring	Ø 36,14x2,62	2	Lubricate with motor oil	
53	540530 Fitting	1"1/4 G - 1"3/4 G (M-M)	1	C=20Nm	
54	540540 Ring nut	1" 3/4 G	1		
55	540550 Elbow	Ø 40	1		
56	1536 Air chamber	NBR	1		
57	1800350 Air valve		1	C=4Nm / Loxeal 55-14	
58	650542 Gasket		1	Lubricate with motor oil	
59	1800270 Cover		1	Lubricate with motor oil	
60	650560 O-ring	Ø 56,82x2,62	1	Lubricate with motor oil	
61	1800311 Plate		1		
62	1800300 Diaphragm	NBR	1		
63	1800280 Tube		1	C=20Nm / Loxeal 83-21	
64	540360 O-ring	Ø 44,12x2,62	1	Lubricate with motor oil	
65	1040470 Screw	M10x8	2	C=20Nm / Loxeal 83-21	
66	1800290 Fitting		1		
67	640070 O-ring	Ø 13,95x2,62	1	Lubricate Molykote G-807	
68	1040260 Screw	M10x25	1	C=10Nm / Loxeal 55-14	
69	320360 Screw	TCEI M8x22	2	C=20Nm	
A	1963 Valve kit		1		
B	42802 Diaphragms kit	NBR	1		
C	43020 O-ring kit		1		
D	43019 Maintenance repair kit	NBR	1		
E	47196 Tank kit		1		

Customer: AR  
Customer Code:



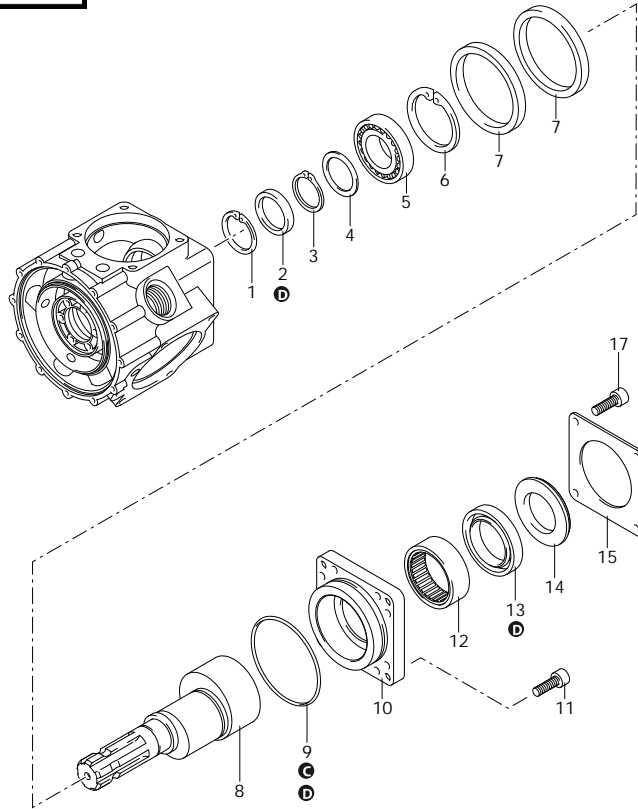
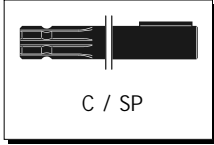
Revision: 1  
Date: 05/07/2024

Validity: < XX/YY = From week/year



# AR 713

624 AR 713 AP C/SP - NBR



Code	Description		Q	Note	Validity
1	1460490 Ring	seeger Øi 47	1		
2	1040050 Ring	seal	1	Lubricate with Mineral Grease	
3	1040570 Ring	seeger Øe 35	1		
4	1040850 Spacer		1		
5	161060 Bearing		1	Press Mount	
6	161050 Ring	seeger Øi 72	1		
7	1040340 Ring	Connecting-rod	2		
8	1800370 Shaft	AB marked	1		
9	1040060 O-ring	Ø 72,69x2,62	1	Lubricate Molykote Longterm W2	
10	1800210 Flange		1		
11	180030 Screw	TCEI M8x20	8	C=20Nm	
12	650200 Bearing		1	Press Mount	
13	1400150 Ring	seal	1	Lubricate with Mineral Grease	
14	1400110 Ring		1		
15	1400140 Flange		1		
17	820670 Screw	TCEI M10x16	4	C=10Nm	
A	1963 Valve kit		1		
B	42802 Diaphragms kit	NBR	1		
C	43020 O-ring kit		1		
D	43019 Maintenance repair kit	NBR	1		

AR\_03\_050\_v01

Customer: AR  
Customer Code:



SAE 30  
1,000 Kg

Revision: 1

Date: 05/07/2024

Validity: < XX/YY = From week/year