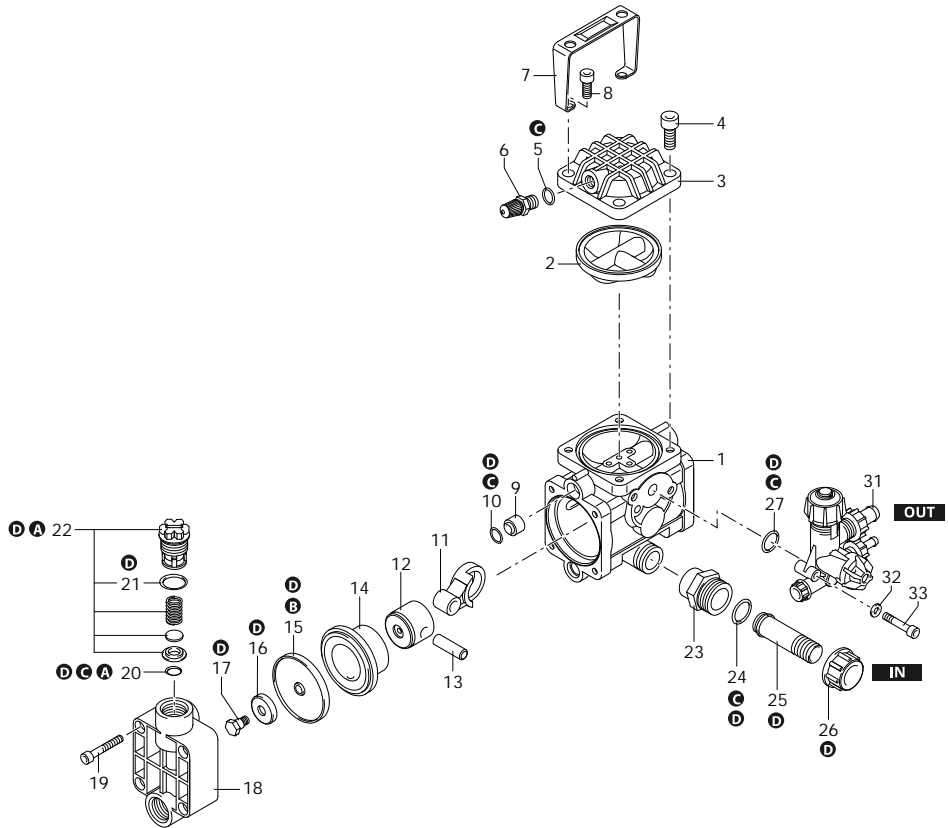




# AR DUE

118 AR DUE SP G.C.I. - NBR



Code	Description	Q	Note	Validity
1	1200013 Pump body		1	
2	1200190 Diaphragm	NBR	1	
3	1200230 Semi air chamber	upper	1	
4	180030 Screw	TCEI M8x20	2 C=20Nm	
5	600180 O-ring	Ø 7,66x1,78	1	
6	1200280 Air valve		1 C=10Nm / Loxeal 83-21	
7	800390 Knob		1	
8	320360 Screw	TCEI M8x22	2 C=20Nm	
9	1200220 Ring		2	
10	880840 O-ring	Ø 9,25x1,78	2 Lubricate with Mineral Grease	
11	1200140 Connecting-rod		2	
12	1200120 Piston	Ø 30	2	
13	1200130 Pin		2	
14	1200110 Sleeve		2 1450 rpm	
15	1200080 Diaphragm	NBR - Øe 55	2	
16	1200300 Plate		2	
17	1200090 Hub pin		2	
18	1200100 Head		2	
19	800410 Screw	TCEI M6x40	8	
20	394280 O-ring	Ø 12,42x1,78	4 Lubricate with motor oil	
21	480440 O-ring	Ø 17,13x2,62	4 Lubricate Molykote G-807	
22	1209050 Valve		4	
23	1200850 Fitting		1 C=5Nm / Loxeal 55-14	
24	390180 O-ring	Ø 18,72x2,62	1 Lubricate with motor oil	
25	800340 Hose tail	Ø 20	1	
26	550450 Ring nut	3/4" G	1	
27	480440 O-ring	Ø 17,13x2,62	1 Lubricate Molykote G-807	
31	1912 Regulation valve		1	
32	550331 Washer		2	
33	800410 Screw	TCEI M6x40	2	
A	1992 Valve kit		1	
B	1983 Diaphragms kit	NBR	1	
C	2465 O-ring kit		1	
D	2466 Maintenance repair kit	NBR	1	

AR\_01\_021\_v01

Customer: AR  
Customer Code:



SAE 30  
0,740 Kg

Revision: 1

Date: 05/07/2024

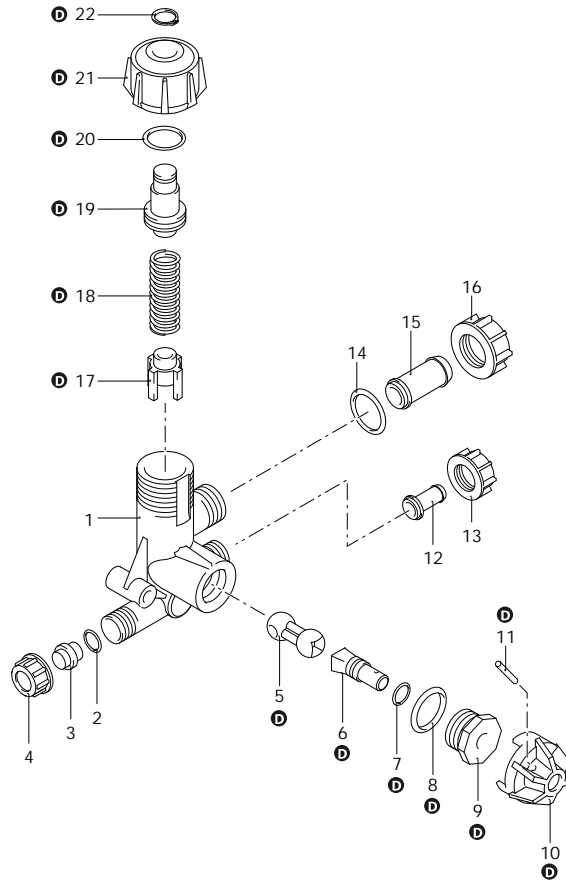
Validity: < XX/YY = From week/year



# AR DUE

118 AR DUE SP G.C.I. - NBR

1912



Code	Description	Q	Note	Validity
1	800400 Body			1
2	800560 O-ring	Ø 8,73x1,78		1
3	800540 Plug			1
4	800520 Ring nut	3/8" G		1
5	800430 Valve			1
6	800490 Hub pin			1
7	800560 O-ring	Ø 8,73x1,78		1
8	480440 O-ring	Ø 17,13x2,62	1 Lubricate Molykote G-807	
9	800500 Ring nut			1
10	800510 Knob			1
11	390330 Pin			1
12	800530 Tube			1
13	800520 Ring nut	3/8" G		1
14	740290 O-ring	Ø 14x1,78	1 Lubricate Molykote PG54	
15	800670 Tube			1
16	800680 Ring nut	M22X1,5		1
17	800440 Guide			1
18	800450 Spring			1
19	800460 Guide			1
20	480440 O-ring	Ø 17,13x2,62	1 Lubricate Molykote G-807	
21	800470 Knob			1
22	480550 Ring	seeger Øe 12		1
D	1910 Maintenance repair kit			1
1912	1912 Regulation valve			1

AR\_05\_003\_v01

Customer: AR  
Customer Code:



Revision: 1

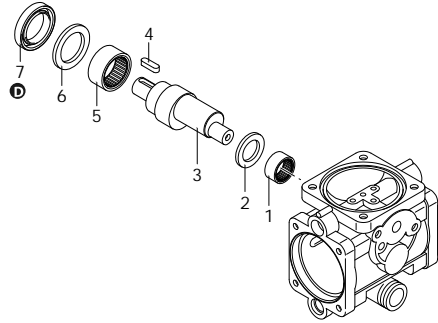
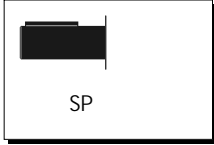
Date: 05/07/2024

Validity: < XX/YY = From week/year



# AR DUE

118 AR DUE SP G.C.I. - NBR



Code	Description	Q	Note	Validity
------	-------------	---	------	----------

1	1200310 Bushing		1 Press Mount	
2	1200160 Spacer		1	
3	1200170 Shaft	A marked	1 1450 rpm	
4	1200450 Key		1	
5	1200180 Bushing		1 Press Mount	
6	1200150 Plate		1	
7	1200200 Ring	seal	1 Lubricate with Mineral Grease	
A	1992 Valve kit		1	
B	1983 Diaphragms kit	NBR	1	
C	2465 O-ring kit		1	
D	2466 Maintenance repair kit	NBR	1	

AR\_03\_037\_v01

Customer: AR  
Customer Code:



SAE 30  
0,740 Kg

Revision: 1

Date: 05/07/2024

Validity: < XX/YY = From week/year