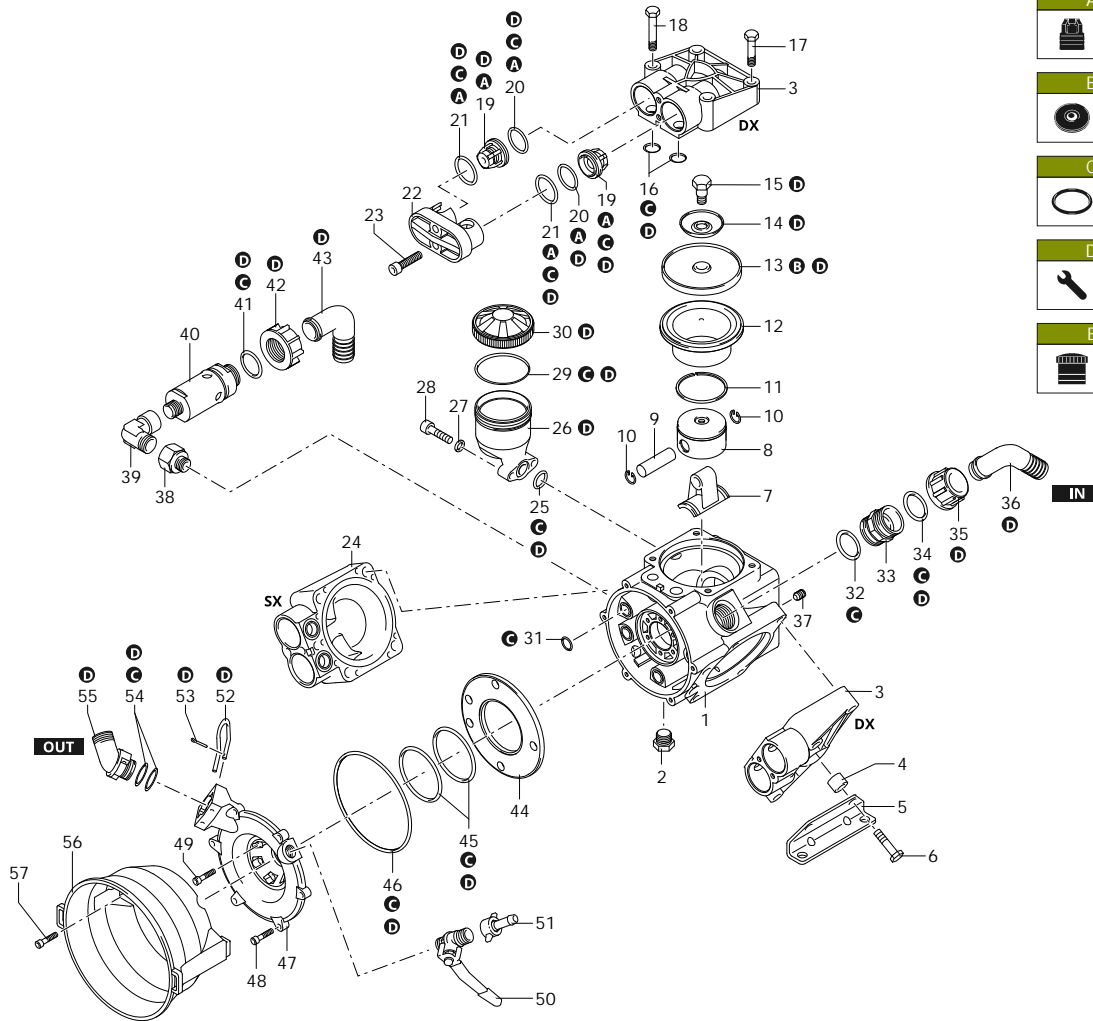




# AR 503

32103 AR 503 AP C/SP - BlueFlex



AR\_01\_089\_v01

Customer: AR  
Customer Code:



SAE 30  
0,600 Kg

Revision: 1

Date: 05/07/2024

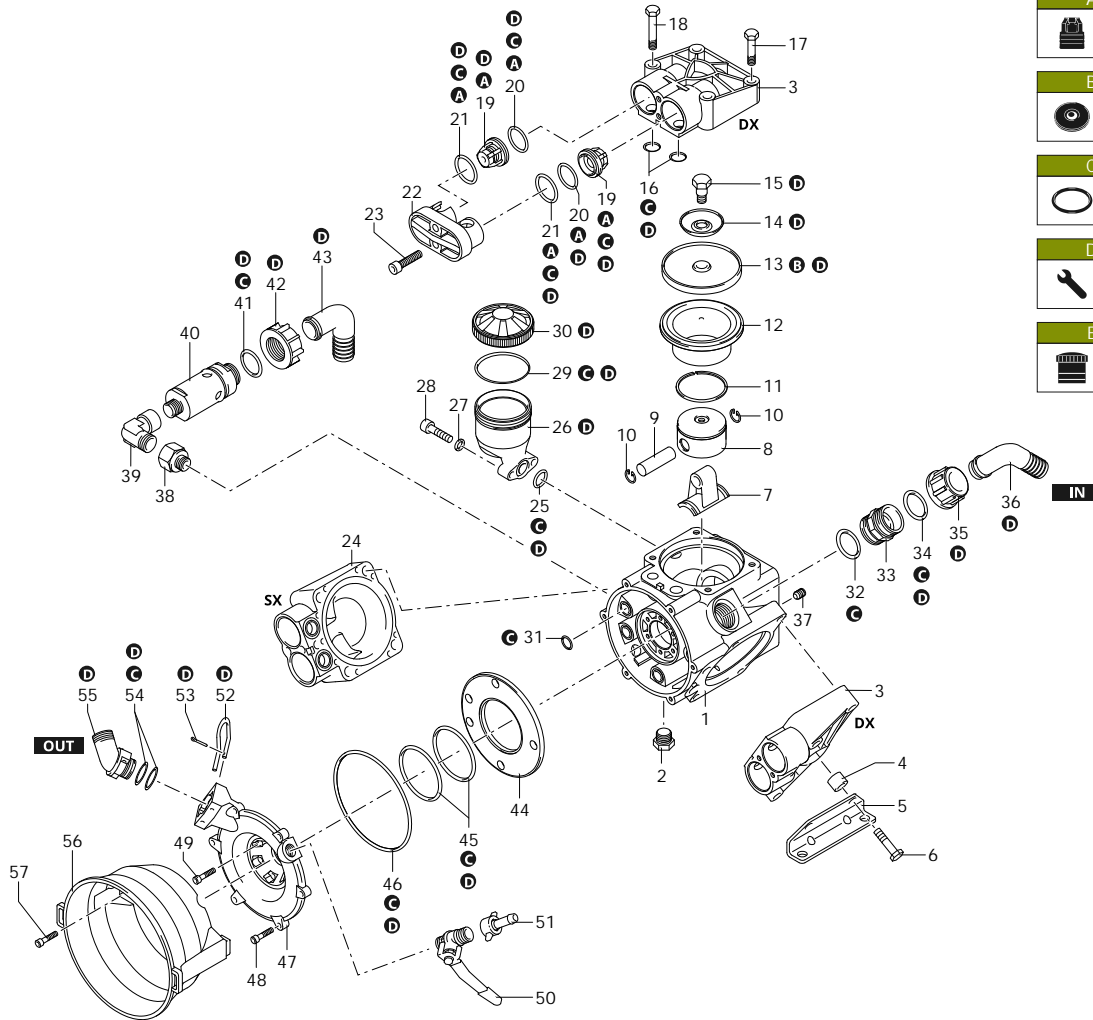
Validity: < XX/YY = From week/year

Code	Description	Q	Note	Validity
1	1300010 Pump body		1	
2	880530 Plug	3/8" G	1 C=20Nm	
3	1300101 Head	dx	2	
4	1300280 Spacer		2	
5	1300090 Foot		2	
6	1300360 Screw	TE M10x65	4 C=40Nm	
7	1300140 Connecting-rod		3	
8	620120 Piston	Ø 56	3	
9	380300 Pin		3 Lubricate with Mineral Grease	
10	380080 Ring	seeger Øi 14	6	
11	160230 Piston ring		3	
12	1300110 Sleeve		3	
13	620082 Diaphragm	BlueFlex - Øe 96	3	
14	1040180 Plate		3	
15	580360 Hub pin		3 C=20Nm / Molykote 1000	
16	480441 O-ring	Ø 17,13x2,62 Viton	6 Lubricate Molykote G-807	
17	200230 Screw	TE M10x45	4 C=45Nm	
18	640230 Screw	TE M10x60	4 C=45Nm	
19	1409050 Valve		6	
20	620030 O-ring	Ø 25,80x3,53	6 Lubricate with motor oil	
21	540361 O-ring	Ø 33,05x1,78	6 Lubricate with motor oil	
22	1300190 Plug		3	
23	620610 Screw	TCEI M8x30	6 C=20Nm	
24	1300102 Head	sx	1	
25	390180 O-ring	Ø 18,72x2,62	1 Lubricate with motor oil	
26	1040310 Tank		1	
27	550331 Washer		2	
28	850850 Screw	TCEI M6x30	2 C=10Nm	
29	650920 O-ring	Ø 53,65x2,62	1 Lubricate with Mineral Grease	
30	1040326 Plug	black	1	
31	740291 O-ring	Ø 14x1,78	5 Lubricate Molykote PG54	
32	390290 O-ring	Ø 29x3	1 Lubricate Molykote PG54	
33	450120 Fitting	1" G - 1"1/4" G (M-M)	1	
34	390290 O-ring	Ø 29x3	1 Lubricate Molykote PG54	
35	550870 Ring nut	1"1/4 G	1	
36	580040 Elbow	Ø 30	1	
37	770070 Screw	M10x10	1 C=10Nm / Loxeal 83-21	
38	881461 Threaded adapter	3/8" G - 1/2" G	1 C=20Nm / Loxeal 83-21	
39	881560 Fitting	1/2" G (M-F)	1 C=20Nm / Loxeal 83-21	
40	1609001 Safety valve	40 bar	1 C=10Nm / Loxeal 24-18	
41	880831 O-ring	Ø 15,54x2,62 Viton	1 Lubricate Molykote G-807	
42	550450 Ring nut	3/4" G	1	
43	550460 Elbow	Ø 18	1	
44	1300020 Manifold plate		1	
45	640030 O-ring	Ø 59,99x2,62	2 Lubricate with motor oil	
46	1300270 O-ring	Ø 126,67x2,62	1 Lubricate with motor oil	



# AR 503

32103 AR 503 AP C/SP - BlueFlex



AR\_01\_089\_v01

Code	Description	Q	Note	Validity
------	-------------	---	------	----------

47	1300030 Line		delivery	1
48	1040370 Screw		TCEI M6x22	3 C=10Nm
49	880280 Screw		TCEI M6x18	6 C=10Nm
50	130491 Valve		3/8" G - 1/2" G (M-M)	1 C=20Nm / Loxeal 55-14
51	110131 Ring nut		1/2" G	1
52	1040690 Fork			1
53	1040950 Split pin			1
54	390180 O-ring		Ø 18,72x2,62	2 Lubricate with motor oil
55	1040760 Fitting		3/4" G	1
56	1500130 Cardan protection			1
57	1040370 Screw		TCEI M6x22	3 C=10Nm
A	1987 Valve kit			1
B	43198 Diaphragms kit		BlueFlex	1
C	1984 O-ring kit			1
D	47376 Maintenance repair kit		BlueFlex	1
E	47193 Tank kit			1

Customer: AR  
Customer Code:



SAE 30  
0,600 Kg

Revision: 1

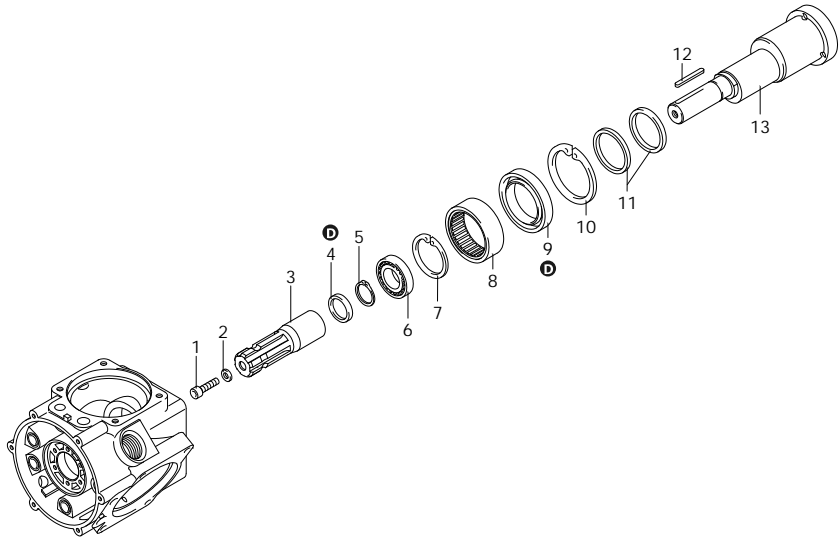
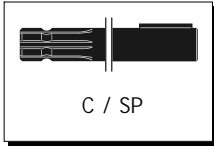
Date: 05/07/2024

Validity: < XX/YY = From week/year



# AR 503

32103 AR 503 AP C/SP - BlueFlex



Code	Description		Q	Note	Validity
1	680350 Screw	TCEI M8x35	1	C=10Nm	
2	961340 Washer		1		
3	650300 Coupling		1	Spray Molykote D-321R	
4	1300230 Ring	seal	1	Lubricate with Mineral Grease	
5	1300050 Ring	seeger Øe 25	1		
6	1320370 Bearing		1	Press Mount	
7	1260790 Ring	seeger Øi 52	1		
8	1300210 Bearing		1	Press Mount	
9	1300220 Ring	seal	1		
10	1300240 Ring	seeger Øi 70	1		
11	1300120 Ring	Connecting-rod	1		
12	650250 Key		1		
13	1300160 Shaft	K marked	1		
A	1987 Valve kit		1		
B	43198 Diaphragms kit	BlueFlex	1		
C	1984 O-ring kit		1		
D	47376 Maintenance repair kit	BlueFlex	1		

AR\_03\_036\_v01

Customer: AR  
Customer Code:



SAE 30  
0,600 Kg

Revision: 1

Date: 05/07/2024

Validity: < XX/YY = From week/year