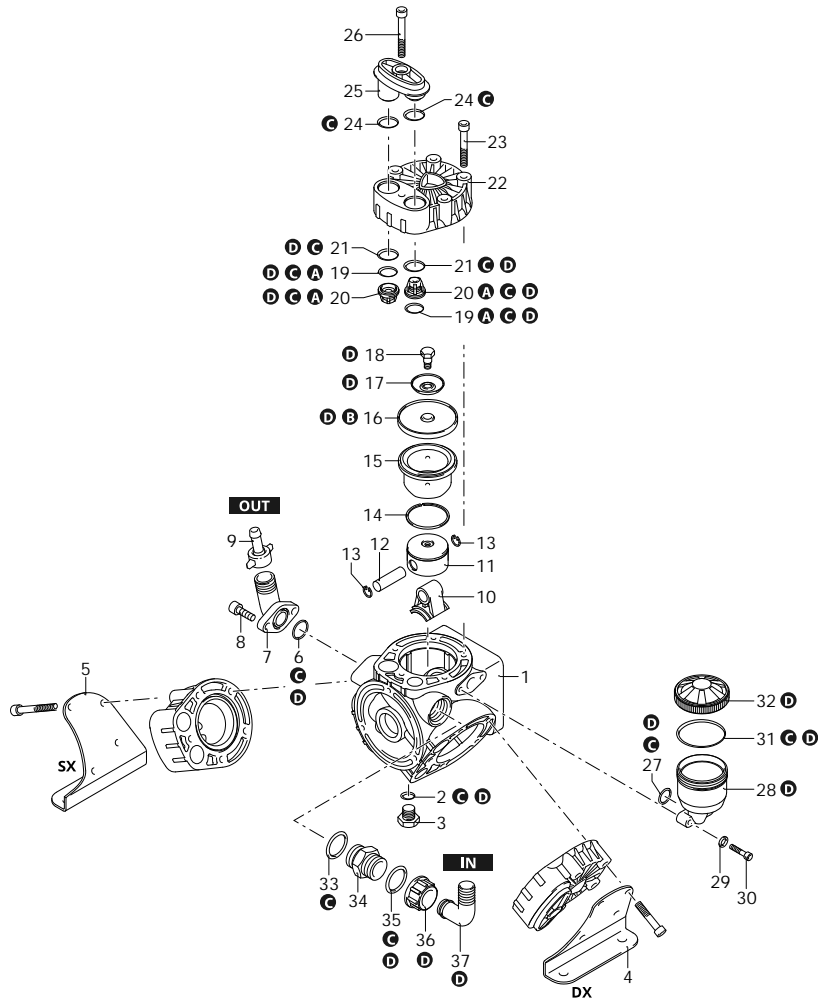




# AR 403

461 AR 403 SP - NBR



Code	Description	Q	Note	Validity
1	1880010 Pump body			1
2	740290 O-ring	Ø 14x1,78	2 Lubricate Molykote PG54	
3	880530 Plug	3/8" G	2 C=20Nm	
4	1880080 Foot			1
5	1880090 Foot			1
6	550350 O-ring	Ø 23,81x2,62	1 Lubricate with Mineral Grease	
7	450145 Flange			1
8	540290 Screw	TCEI M8x25	2 C=23Nm	
9	110130 Ring nut	1/2" G		1
10	1880070 Connecting-rod			3
11	1880060 Piston	Ø 50		3
12	1880120 Pin			3
13	380080 Ring	seeger Øi 14		6
14	1880110 Piston ring			3
15	1880050 Sleeve			3
16	800080 Diaphragm	NBR - Øe 72		3
17	800350 Plate			3
18	800090 Hub pin		3 C=20Nm / Molykote 1000	
19	1140450 O-ring	Ø 20,24x2,62	6 Lubricate Molykote PG54	
20	1889051 Complete valve			6
21	780050 O-ring	Ø 28,252x1,78	6 Lubricate with motor oil	
22	1880030 Head			3
23	800860 Screw	TCEI M8x55		12
24	1880480 O-ring	Ø 25x2	6 Lubricate with motor oil	
25	1880040 Cover			3
26	280080 Screw	TCEI M8x60		3
27	390180 O-ring	Ø 18,72x2,62	1 Lubricate with motor oil	
28	1040310 Tank			1
29	550331 Washer			2
30	1200440 Screw	TCEI M6x35	2 C=10Nm	
31	650920 O-ring	Ø 53,65x2,62	1 Lubricate with Mineral Grease	
32	1040324 Plug	red		1
33	390290 O-ring	Ø 29x3	1 Lubricate Molykote PG54	
34	550340 Fitting	1" G (M-M)		1
35	550350 O-ring	Ø 23,81x2,62	1 Lubricate with Mineral Grease	
36	550880 Ring nut	1" G		1
37	550370 Elbow	Ø 25		1
A	2388 Valve kit			1
B	2387 Diaphragms kit	NBR		1
C	2389 O-ring kit			1
D	2390 Maintenance repair kit	NBR		1
E	47192 Tank kit			1

AR\_01\_017\_v01

Customer: AR  
Customer Code:



SAE 30  
0,400 Kg

Revision: 1

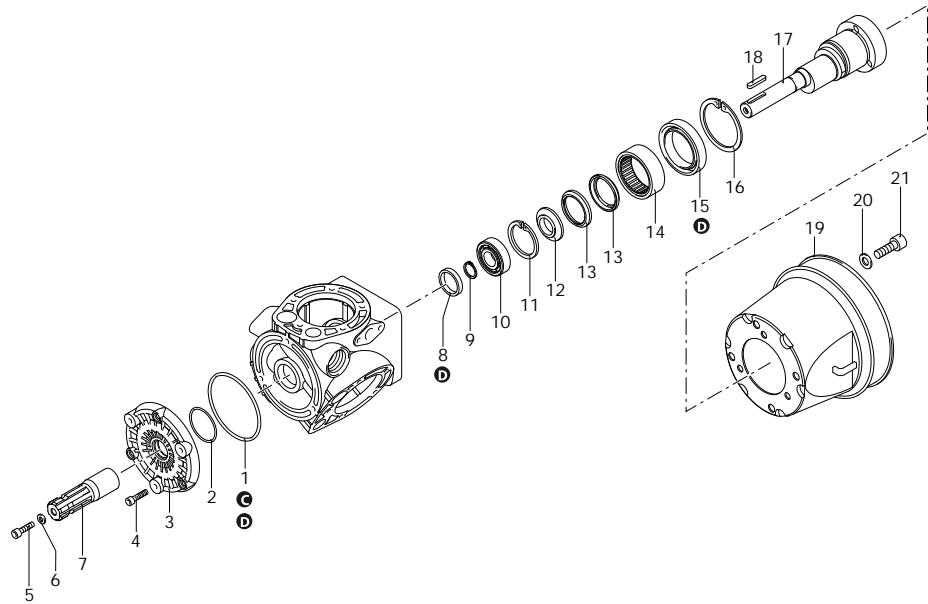
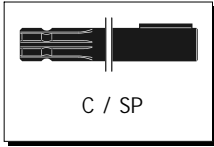
Date: 05/07/2024

Validity: < XX/YY = From week/year



# AR 403

461 AR 403 SP - NBR



Code	Description		Q	Note	Validity
1	1880130 O-ring	Ø 88,57x2,62	1	Lubricate with motor oil	
2	390201 O-ring	Ø 39,34x2,62	1	Lubricate with motor oil	
3	1880021 Line	intake	1		
4	780060 Screw	TCEI M6x25	3	C=10Nm	
5	680350 Screw	TCEI M8x35	1	C=10Nm	
6	961340 Washer		1		
7	621370 Coupling		1	Spray Molykote D-321R	
8	1880190 Ring	seal	1	Lubricate with motor oil	
9	620291 Ring	seeger Øe 20	1		
10	1461430 Bearing		1	Press Mount	
11	111120 Ring	seeger Øi 47	1		
12	1880170 Spacer		1		
13	1880180 Ring	Connecting-rod	1		
14	550060 Bushing		1	Press Mount	
15	620130 Ring	seal	1	Lubricate with Mineral Grease	
16	620330 Ring	seeger Øi 65	1		
17	1880160 Shaft	4 marked	1		
18	620680 Key		1		
19	1500350 Cardan protection	ø 199 mm	1		
20	380241 Washer		3		
21	850250 Screw	TCEI M8x12	3		
A	2388 Valve kit		1		
B	2387 Diaphragms kit	NBR	1		
C	2389 O-ring kit		1		
D	2390 Maintenance repair kit	NBR	1		

AR\_03\_032\_v01

Customer: AR  
Customer Code:



SAE 30  
0,400 Kg

Revision: 1

Date: 05/07/2024

Validity: < XX/YY = From week/year