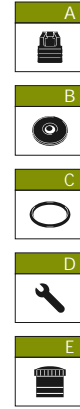
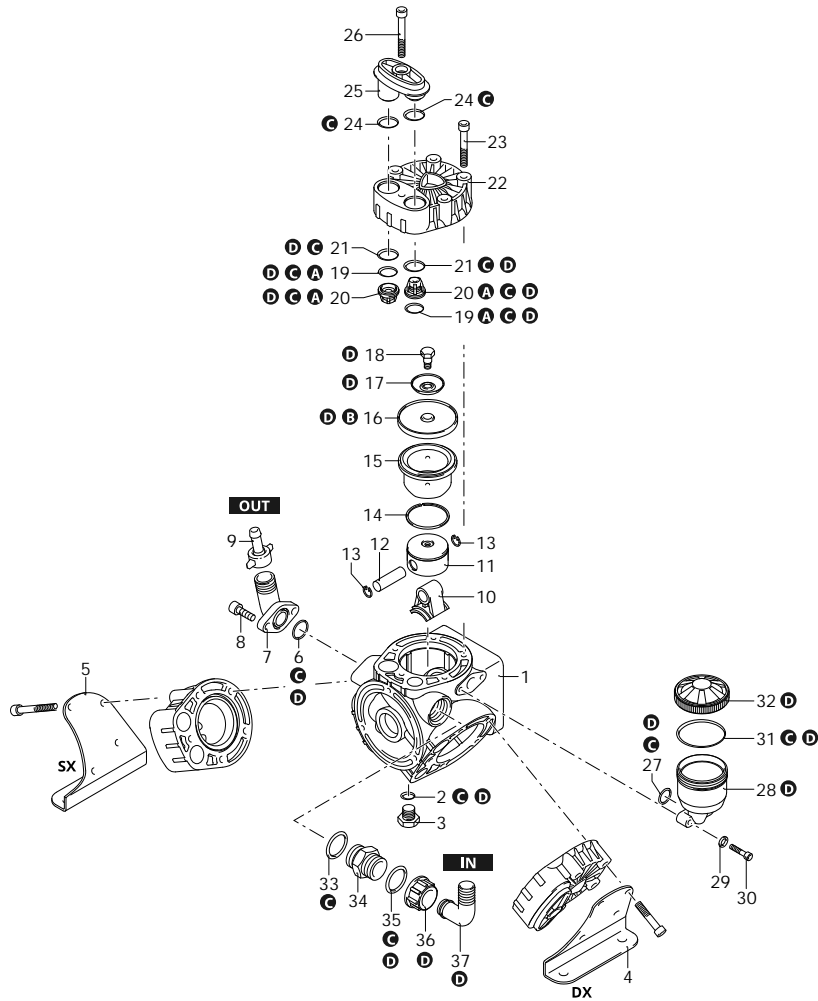




# AR 303

235 AR 303 SP - NBR



Code	Description	Q	Note	Validity
1	1880010 Pump body		1	
2	740290 O-ring	Ø 14x1,78	2 Lubricate Molykote PG54	
3	880530 Plug	3/8" G	2 C=20Nm	
4	1880080 Foot		1	
5	1880090 Foot		1	
6	550350 O-ring	Ø 23,81x2,62	1 Lubricate with Mineral Grease	
7	450145 Flange		1	
8	540290 Screw	TCEI M8x25	2 C=23Nm	
9	110130 Ring nut	1/2" G	1	
10	1880070 Connecting-rod		3	
11	1880060 Piston	Ø 50	3	
12	1880120 Pin		3	
13	380080 Ring	seeger Øi 14	6	
14	1880110 Piston ring		3	
15	1880051 Sleeve		3	
16	800080 Diaphragm	NBR - Øe 72	3	
17	800350 Plate		3	
18	800090 Hub pin		3 C=20Nm / Molykote 1000	
19	1140450 O-ring	Ø 20,24x2,62	6 Lubricate Molykote PG54	
20	1889051 Complete valve		6	
21	780050 O-ring	Ø 28,252x1,78	6 Lubricate with motor oil	
22	1880030 Head		3	
23	800860 Screw	TCEI M8x55	12	
24	1880480 O-ring	Ø 25x2	6 Lubricate with motor oil	
25	1880040 Cover		3	
26	280080 Screw	TCEI M8x60	3	
27	390180 O-ring	Ø 18,72x2,62	1 Lubricate with motor oil	
28	1040310 Tank		1	
29	550331 Washer		2	
30	1200440 Screw	TCEI M6x35	2 C=10Nm	
31	650920 O-ring	Ø 53,65x2,62	1 Lubricate with Mineral Grease	
32	1040326 Plug	black	1	
33	390290 O-ring	Ø 29x3	1 Lubricate Molykote PG54	
34	550340 Fitting	1" G (M-M)	1	
35	550350 O-ring	Ø 23,81x2,62	1 Lubricate with Mineral Grease	
36	550880 Ring nut	1" G	1	
37	550370 Elbow	Ø 25	1	
A	2388 Valve kit		1	
B	2387 Diaphragms kit	NBR	1	
C	2389 O-ring kit		1	
D	2390 Maintenance repair kit	NBR	1	
E	47192 Tank kit		1	

AR\_01\_017\_v01

Customer: AR  
Customer Code:



SAE 30  
0,400 Kg

Revision: 1

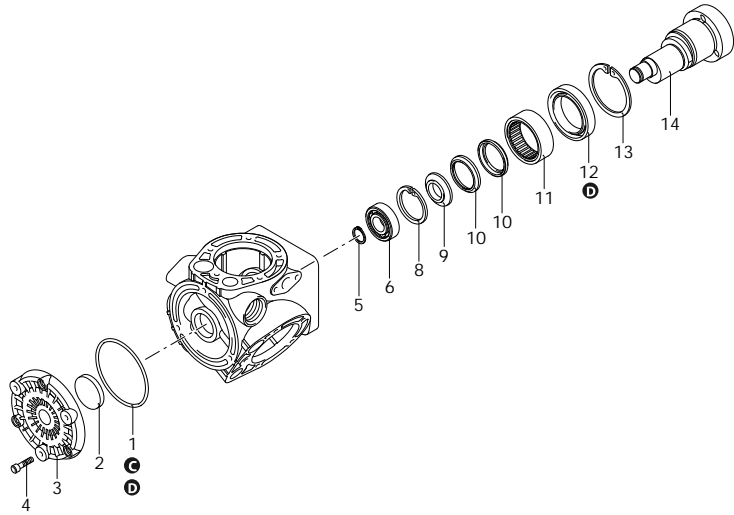
Date: 05/07/2024

Validity: < XX/YY = From week/year



# AR 303

235 AR 303 SP - NBR



Code	Description		Q	Note	Validity
1	1880130 O-ring	Ø 88,57x2,62	1	Lubricate with motor oil	
2	1880380 Oil seal		1		
3	1880020 Line	intake	1		
4	780060 Screw	TCEI M6x25	3	C=10Nm	
5	620291 Ring	seeger Øe 20	1		
6	1461430 Bearing		1	Press Mount	
8	111120 Ring	seeger Øi 47	1		
9	1880170 Spacer		1		
10	1880180 Ring	Connecting-rod	2		
11	550060 Bushing		1	Press Mount	
12	620130 Ring	seal	1	Lubricate with Mineral Grease	
13	620330 Ring	seeger Øi 65	1		
14	1880101 Shaft	2 marked	1		
A	2388 Valve kit		1		
B	2387 Diaphragms kit	NBR	1		
C	2389 O-ring kit		1		
D	2390 Maintenance repair kit	NBR	1		

AR\_03\_031\_v01

Customer: AR  
Customer Code:



SAE 30  
0,400 Kg

Revision: 1

Date: 05/07/2024

Validity: < XX/YY = From week/year