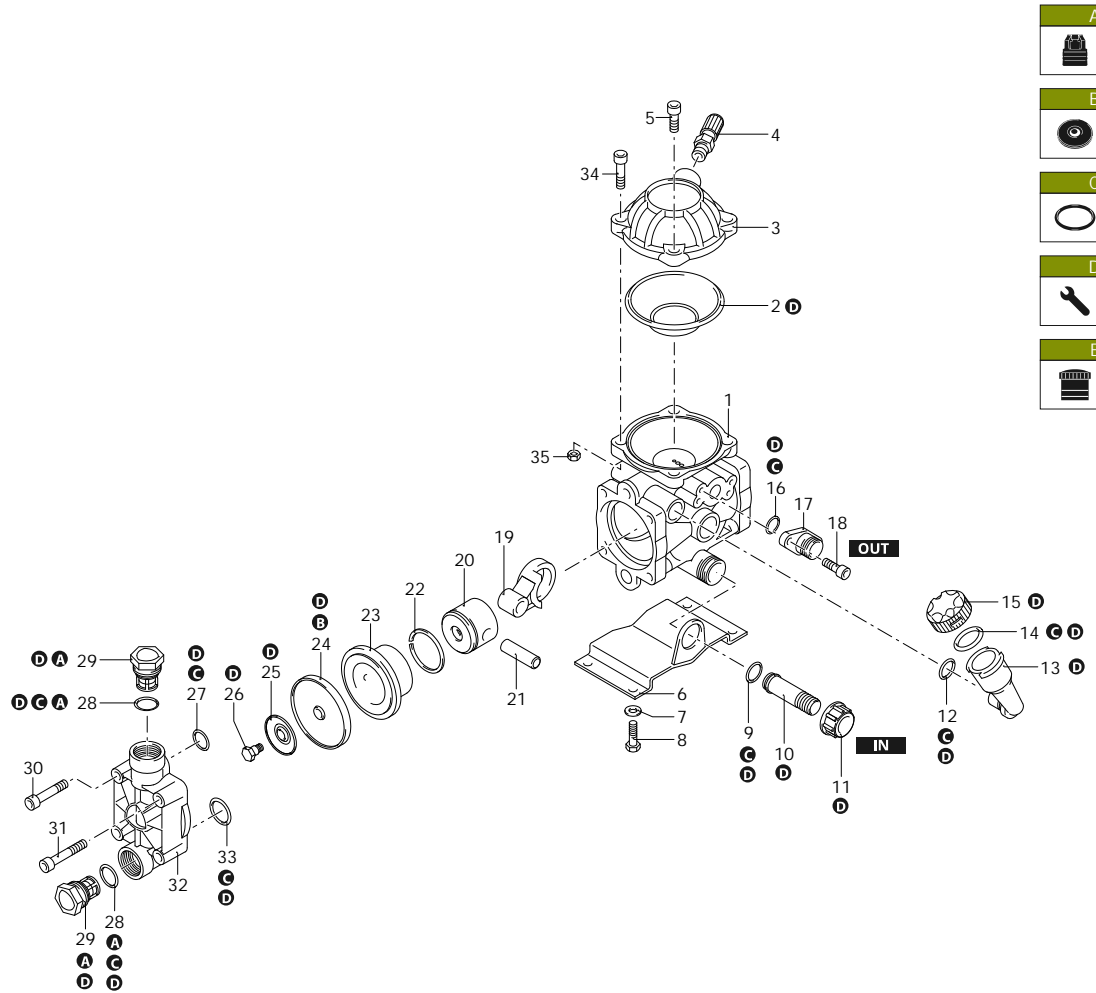




# AR 252

158 AR 252 SP - NBR



AR\_01\_023\_v01

Customer: AR  
Customer Code:



SAE 30  
0,340 Kg

Revision: 1

Date: 05/07/2024

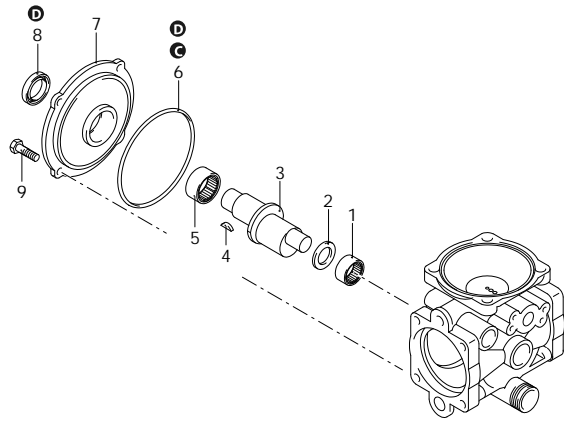
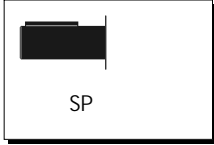
Validity: < XX/YY = From week/year

Code	Description		Q	Note	Validity
1	800010	Pump body		1	
2	800190	Diaphragm	NBR - Øe 94	1	
3	800232	Semi air chamber	upper	1	
4	800650	Air valve		1	C=20Nm / Loxeal 83-21
5	540290	Screw	TCEI M8x25	1	C=23Nm
6	800311	Foot		1	
7	380241	Washer		2	
8	180431	Screw	TE M8x16	2	C=30Nm
9	390180	O-ring	Ø 18,72x2,62	1	Lubricate with motor oil
10	800340	Hose tail	Ø 20	1	
11	550450	Ring nut	3/4" G	1	
12	740290	O-ring	Ø 14x1,78	1	Lubricate Molykote PG54
13	801960	Tank		1	
14	550040	O-ring	Ø 26,65x2,62	1	Lubricate with motor oil
15	550052	Plug	black	1	
16	480440	O-ring	Ø 17,13x2,62	1	Lubricate Molykote G-807
17	800692	Flange		1	
18	880280	Screw	TCEI M6x18	2	C=10Nm
19	800140	Connecting-rod		2	Lubricate with motor oil
20	802070	Piston	Ø 42	2	
21	800130	Pin		2	Lubricate with motor oil
22	802080	Piston ring		2	
23	802050	Sleeve		2	
24	800080	Diaphragm	NBR - Øe 72	2	
25	800350	Plate		2	
26	800090	Hub pin		2	C=20Nm / Molykote 1000
27	800210	O-ring	Ø 13,10x2,62	2	Lubricate with motor oil
28	880830	O-ring	Ø 15,54x2,62	4	Lubricate Molykote G-807
29	809060	Complete valve		4	
30	800220	Screw	TCEI M8x45	7	C=20Nm
31	680360	Screw	TCEI M8x50	1	C=20Nm
32	801940	Head		2	
33	480440	O-ring	Ø 17,13x2,62	2	Lubricate Molykote G-807
34	680350	Screw	TCEI M8x35	3	C=10Nm
35	390270	Nut	M8	3	C=10Nm
A	2408	Valve kit		1	
B	1927	Diaphragms kit	NBR	1	
C	2409	O-ring kit		1	
D	2410	Maintenance repair kit	NBR	1	
E	42506	Tank kit		1	



# AR 252

158 AR 252 SP - NBR



Code	Description	Q	Note	Validity
1	480370 Bushing		1 Lubricate with Mineral Grease	
2	800160 Spacer		1 Lubricate with Mineral Grease	
3	800171 Shaft	D marked	1	
4	800590 Key		1	
5	800180 Bushing		1 Lubricate with Mineral Grease	
6	800380 O-ring	Ø 97x1,6	1 Lubricate with motor oil	
7	800020 Flange		1	
8	800200 Ring	seal	1	
9	320350 Screw	TE M6x12	4 C=10Nm	
A	2408 Valve kit		1	
B	1927 Diaphragms kit	NBR	1	
C	2409 O-ring kit		1	
D	2410 Maintenance repair kit	NBR	1	

AR\_03\_040\_v01

Customer: AR  
Customer Code:



SAE 30  
0,340 Kg

Revision: 1

Date: 05/07/2024

Validity: < XX/YY = From week/year