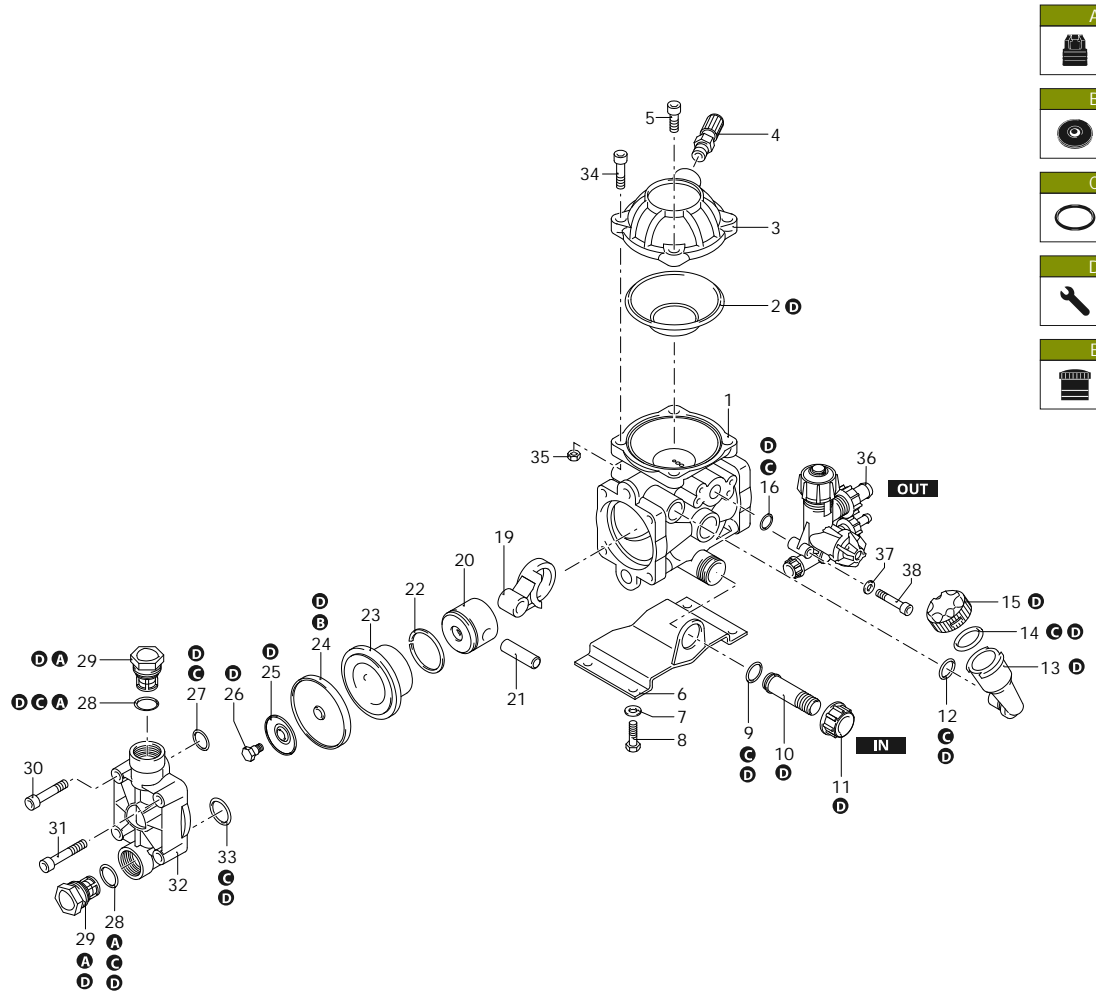




# AR 202

153 AR 202 SP G.C.I. - NBR



Code	Description	Q	Note	Validity
1	800010 Pump body			1
2	800190 Diaphragm	NBR - Øe 94		1
3	800230 Semi air chamber	upper		1
4	800650 Air valve			1
5	540290 Screw	TCEI M8x25		1
6	800311 Foot			1
7	380241 Washer			2
8	180431 Screw	TE M8x16		2
9	390180 O-ring	Ø 18,72x2,62		1
10	800340 Hose tail	Ø 20		1
11	550450 Ring nut	3/4" G		1
12	740290 O-ring	Ø 14x1,78		1
13	801960 Tank			1
14	550040 O-ring	Ø 26,65x2,62		1
15	550052 Plug	black		1
16	480440 O-ring	Ø 17,13x2,62		1
19	800140 Connecting-rod			2
20	802070 Piston	Ø 42		2
21	800130 Pin			2
22	802080 Piston ring			2
23	802060 Sleeve			2
24	800080 Diaphragm	NBR - Øe 72		2
25	800350 Plate			2
26	800090 Hub pin			2
27	800210 O-ring	Ø 13,10x2,62		2
28	880830 O-ring	Ø 15,54x2,62		4
29	809060 Complete valve			4
30	800220 Screw	TCEI M8x45		7
31	680360 Screw	TCEI M8x50		1
32	801940 Head			2
33	480440 O-ring	Ø 17,13x2,62		2
34	680350 Screw	TCEI M8x35		3
35	390270 Nut	M8		3
36	1912 Regulation valve			1
37	550331 Washer			2
38	800410 Screw	TCEI M6x40		2
A	2408 Valve kit			1
B	1927 Diaphragms kit	NBR		1
C	2409 O-ring kit			1
D	2410 Maintenance repair kit	NBR		1
E	42506 Tank kit			1

AR\_01\_024\_v01

Customer: AR  
Customer Code:



SAE 30  
0,340 Kg

Revision: 1

Date: 05/07/2024

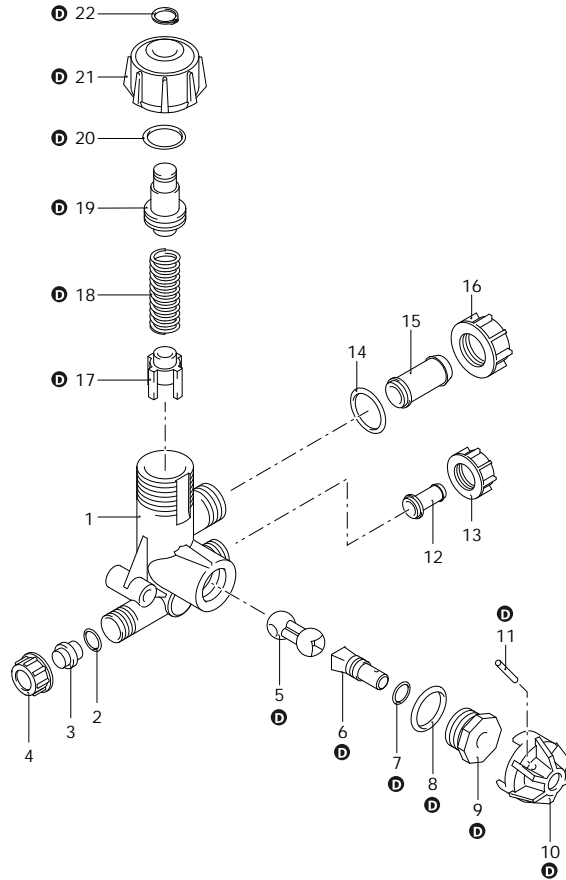
Validity: < XX/YY = From week/year



# AR 202

153 AR 202 SP G.C.I. - NBR

1912



Code	Description	Q	Note	Validity
1	800400 Body			1
2	800560 O-ring	Ø 8,73x1,78		1
3	800540 Plug			1
4	800520 Ring nut	3/8" G		1
5	800430 Valve			1
6	800490 Hub pin			1
7	800560 O-ring	Ø 8,73x1,78		1
8	480440 O-ring	Ø 17,13x2,62	1 Lubricate Molykote G-807	
9	800500 Ring nut			1
10	800510 Knob			1
11	390330 Pin			1
12	800530 Tube			1
13	800520 Ring nut	3/8" G		1
14	740290 O-ring	Ø 14x1,78	1 Lubricate Molykote PG54	
15	800670 Tube			1
16	800680 Ring nut	M22X1,5		1
17	800440 Guide			1
18	800450 Spring			1
19	800460 Guide			1
20	480440 O-ring	Ø 17,13x2,62	1 Lubricate Molykote G-807	
21	800470 Knob			1
22	480550 Ring	seeger Øe 12		1
D	1910 Maintenance repair kit			1
1912	1912 Regulation valve			1

AR\_05\_003\_v01

Customer: AR  
Customer Code:



Revision: 1

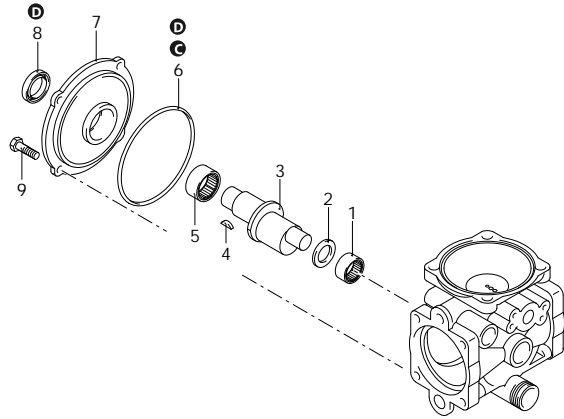
Date: 05/07/2024

Validity: < XX/YY = From week/year



# AR 202

153 AR 202 SP G.C.I. - NBR



Code	Description	Q	Note	Validity
1	480370 Bushing		1 Lubricate with Mineral Grease	
2	800160 Spacer		1 Lubricate with Mineral Grease	
3	800175 Shaft	H marked	1	
4	800590 Key		1	
5	800180 Bushing		1 Lubricate with Mineral Grease	
6	800380 O-ring	Ø 97x1,6	1 Lubricate with motor oil	
7	800020 Flange		1	
8	800200 Ring	seal	1	
9	320350 Screw	TE M6x12	4 C=10Nm	
A	2408 Valve kit		1	
B	1927 Diaphragms kit	NBR	1	
C	2409 O-ring kit		1	
D	2410 Maintenance repair kit	NBR	1	

AR\_03\_040\_v01

Customer: AR  
Customer Code:



SAE 30  
0,340 Kg

Revision: 1

Date: 05/07/2024

Validity: < XX/YY = From week/year