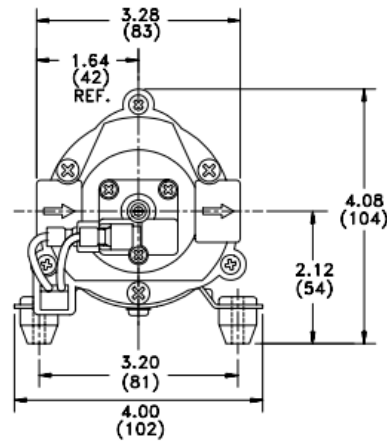
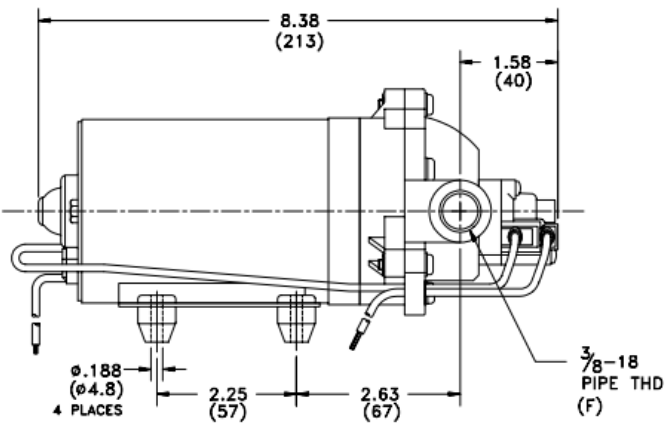


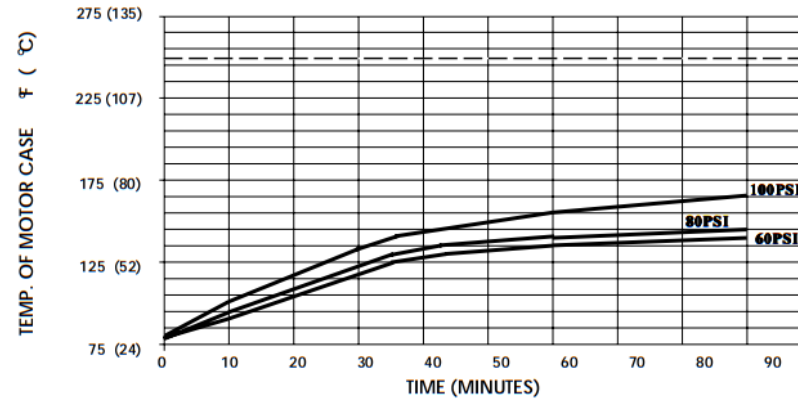
SPECIFICATIONS:

- MODEL NUMBER:** 8090-902-248
- PUMP DESIGN:** Positive Displacement 3 Chamber Diaphragm Pump
- CHECK VALVE:** (1-Way Operation) Prevents Reverse Flow
- CAM:** 2.5 Degree
- MOTOR:** Permanent Magnet, P/N 11-160-10, Thermally Protected
- VOLTAGE:** 230 VAC Nominal
- PRESSURE SWITCH:** Adjustable Shut-Off (Range 80-100 PSI)
Factory Set @ 100 PSI, Turn On 85 PSI ± 5 PSI
- LIQUID TEMPERATURE:** 180 Degrees Fahrenheit (82 Degrees Centigrade) Max.
- PRIME:** Self-Priming Up To 9 Ft. Vertical,
Max. Inlet Pressure 30 PSI (2.1 Bar)
- PORTS:** 3/8"-18 NPT Female
- MATERIAL OF CONSTRUCTION:**
 - PLASTICS- Nylon
 - VALVES- EPDM
 - DIAPHRAGM- Santoprene
 - FASTENERS- Zinc Plated Steel
- NET WEIGHT:** 4.75 Lbs (2.15 Kg)
- DUTY CYCLE:** Intermittent (See Temperature Rise Chart)
- TYPICAL APPLICATIONS:** Soil Extraction
- APPROVALS:** VDE Approved

DIMENSIONS:



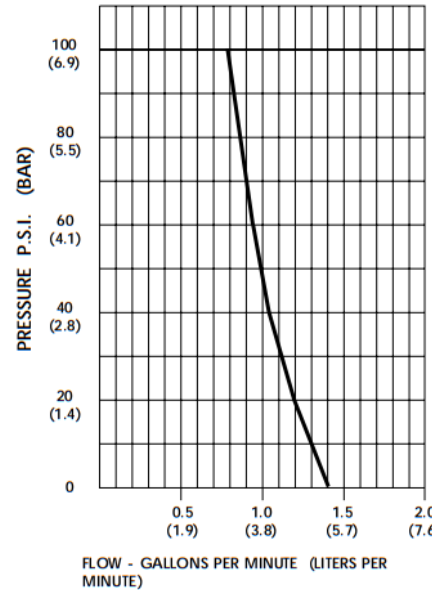
TEMPERATURE RISE



THIS GRAPH IS FOR USE AS A DESIGN GUIDE. IT IS BASED ON RUNNING CONTINUOUSLY WITH AN AMBIENT TEMPERATURE OF 80° F IN STILL AIR. THE THERMAL BREAKER WILL OPEN WHEN THE CASE TEMPERATURE REACHES 250° F.

[----- TRIP POINT OF THERMAL PROTECTOR]

TYPICAL PERFORMANCE



PRESSURE (PSI)	FLOW (GPM/LIT)	RPM MIN/MAX	CURRENT (AMPS)	VOLTAGE (VOLTS)
OPEN	1.42/5.4	2570/2595	0.16	230VAC
10	1.28/4.8	2520/2530	0.19	"
20	1.19/4.5	2440/2460	0.21	"
30	1.12/4.2	2360/2395	0.23	"
40	1.05/4.0	2290/2330	0.25	"
50	1.00/3.8	2235/2295	0.27	"
60	0.95/3.6	2170/2225	0.29	"
70	0.91/3.4	2135/2180	0.31	"
80	0.87/3.3	2070/2135	0.32	"
90	0.83/3.1	2030/2085	0.34	"
100	0.79/3.0	2000/2055	0.36	"

-SPECIFICATIONS SUBJECT TO CHANGE WITHOUT NOTICE.

-ALL DATA BASED ON TESTING WITH WATER AT AMBIENT TEMPERATURE.