



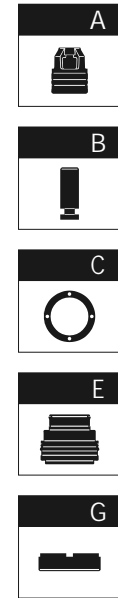
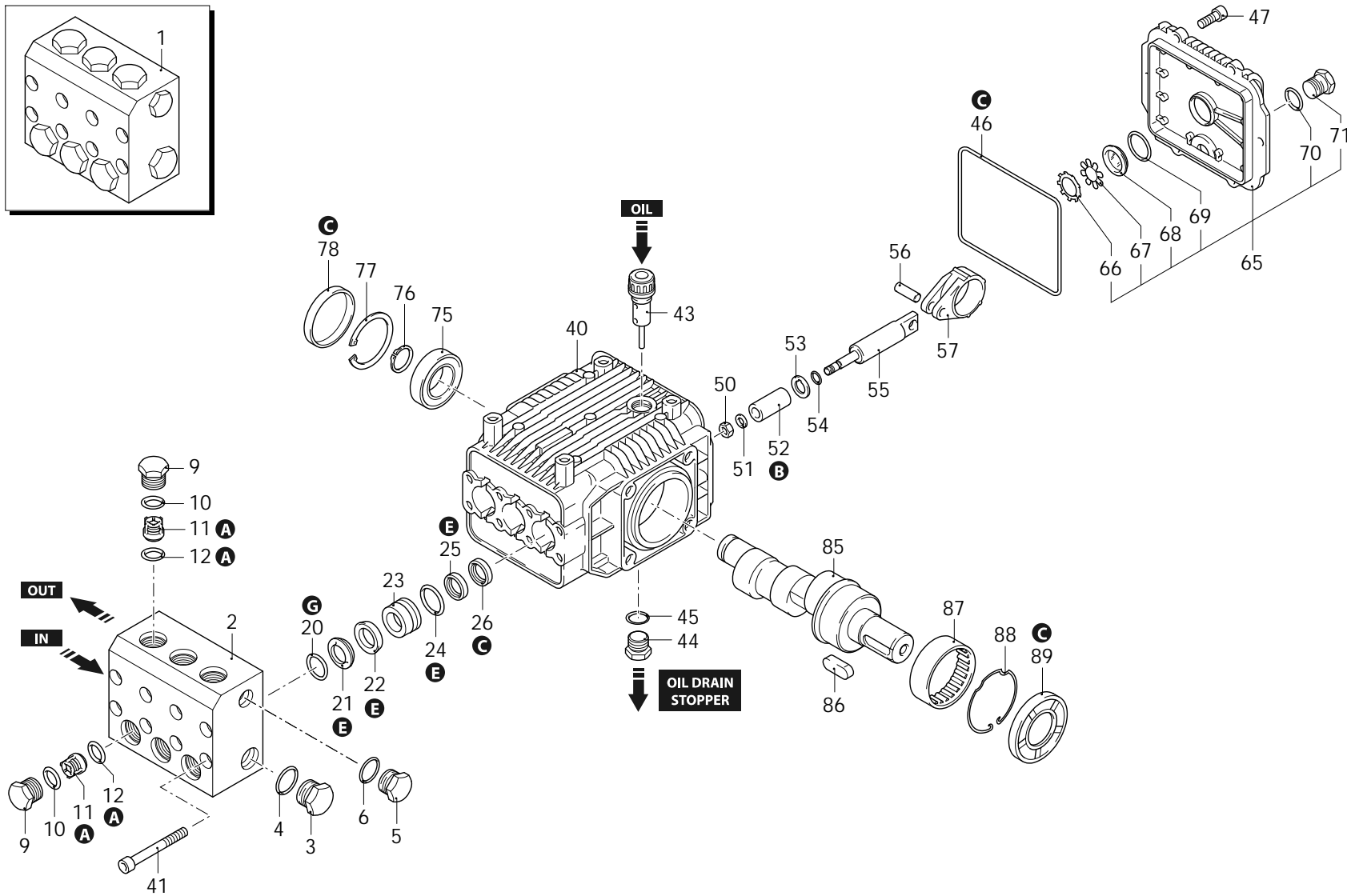
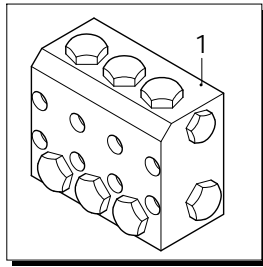
Series Stainless Steel

XM-SS

N

1450rpm

ø 24mm



AR-1_000096_v01

31/05/2024



Series Stainless Steel

XM-SS

N

1450rpm

Ø 24mm

P	Code	Description	Q	Assembly prescription	Validity	P	Code	Description	Q	Assembly prescription	Validity
1	2589202	Head assembly	Ø 15	1		71	2340350	Plug	3/8" G	1	C=20Nm
2	2580020	Head	stainless steel	1		75	1780490	Bearing		1	
3	2340360	Plug	1/2" G	1	C=30Nm	76	1780550	Ring	seeger Øe 20	1	
4	180101	O-ring	Ø 17,5x2	1	Lubricate with grease Molykote PG54	77	1260790	Ring	seeger Øi 52	1	
5	2340350	Plug	3/8" G	1	C=20Nm	78	1266740	Cover		1	
6	740290	O-ring	Ø 14x1,78	1	Lubricate with grease Molykote PG54	85	1780150	Shaft	1 marked	1	
9	2580031	Plug		6	C=50Nm / Loxeal 55-14	86	1380520	Key		1	
10	960160	O-ring	Ø 17,86x2,62	6	Lubricate with grease Molykote PG54	87	1321190	Bearing		1	Assemble with tool [1780610]
11	2589050	Complete valve		6		88	1321080	Ring		1	
12	880830	O-ring	Ø 15,54x2,62	6	Lubricate with grease Molykote PG54	89	1260750	Ring	seal	1	Assemble with tool [1941990]
20	1780130	Ring	support Ø 15	3		A	2282	Valve kit		1	
21	1260130	Water seal	Ø 15	3	Lubricate with grease Molykote PG54	B	2739	Piston kit	Ø 15	1	
22	1781030	Ring	anti-extrusion	3		C	2786	Oil seal kit		1	
23	2580050	Piston guide	Ø 15	3		E	2283	Water seal kit	Ø 15	1	
24	770260	O-ring	Ø 23,52x1,78	3		G	2740	Support ring kit	Ø 15	1	
25	1260440	Water seal	Ø 15	3	Lubricate with grease Molykote PG54						
26	1260460	Oil seal		3							
40	2580010	Pump body		1							
41	2580090	Screw	TCEI M6x60	8	C=9Nm						
43	880130	Oil plug	with oil dipstick	1							
44	2340350	Plug	3/8" G	1	C=20Nm						
45	740290	O-ring	Ø 14x1,78	1	Lubricate with grease Molykote PG54						
46	1780510	O-ring	Ø 106x3	1							
47	680560	Screw	TCEI M6x16	6	C=9Nm						
50	2580110	Nut	M8	3	C=10Nm / Loxeal 55-14						
51	2340200	Washer		3							
52	1780070	Piston	Ø 15	3	Lubricate with grease Molykote PG54						
53	2580120	Plate		3							
54	480480	O-ring	Ø 4,48x1,78	3							
55	1780060	Piston	guide	3							
56	1780050	Pin		3							
57	1780710	Connecting-rod	bronze	3							
65	2349010	Cover	complete	1							
66	1260430	Ring		1							
67	1780690	Plate		1							
68	1260250	Level gauge		1							
69	1140450	O-ring	Ø 20,24x2,62	1	Lubricate with grease Molykote PG54						
70	740290	O-ring	Ø 14x1,78	1	Lubricate with grease Molykote PG54						

Revision: 1

Oil type: SAE 75W90

Validity: < XX/YY = From week/year

Date: 31/05/2024

Oil quantity: 0,430 Kg

C= Tightening torque (Tolerance +0 ÷ -10%)

* = Not present for electric pump