



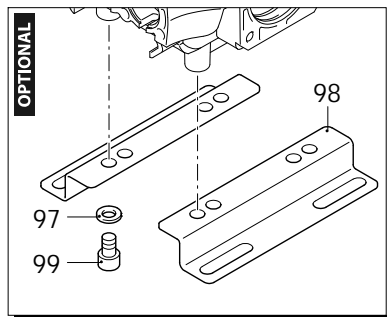
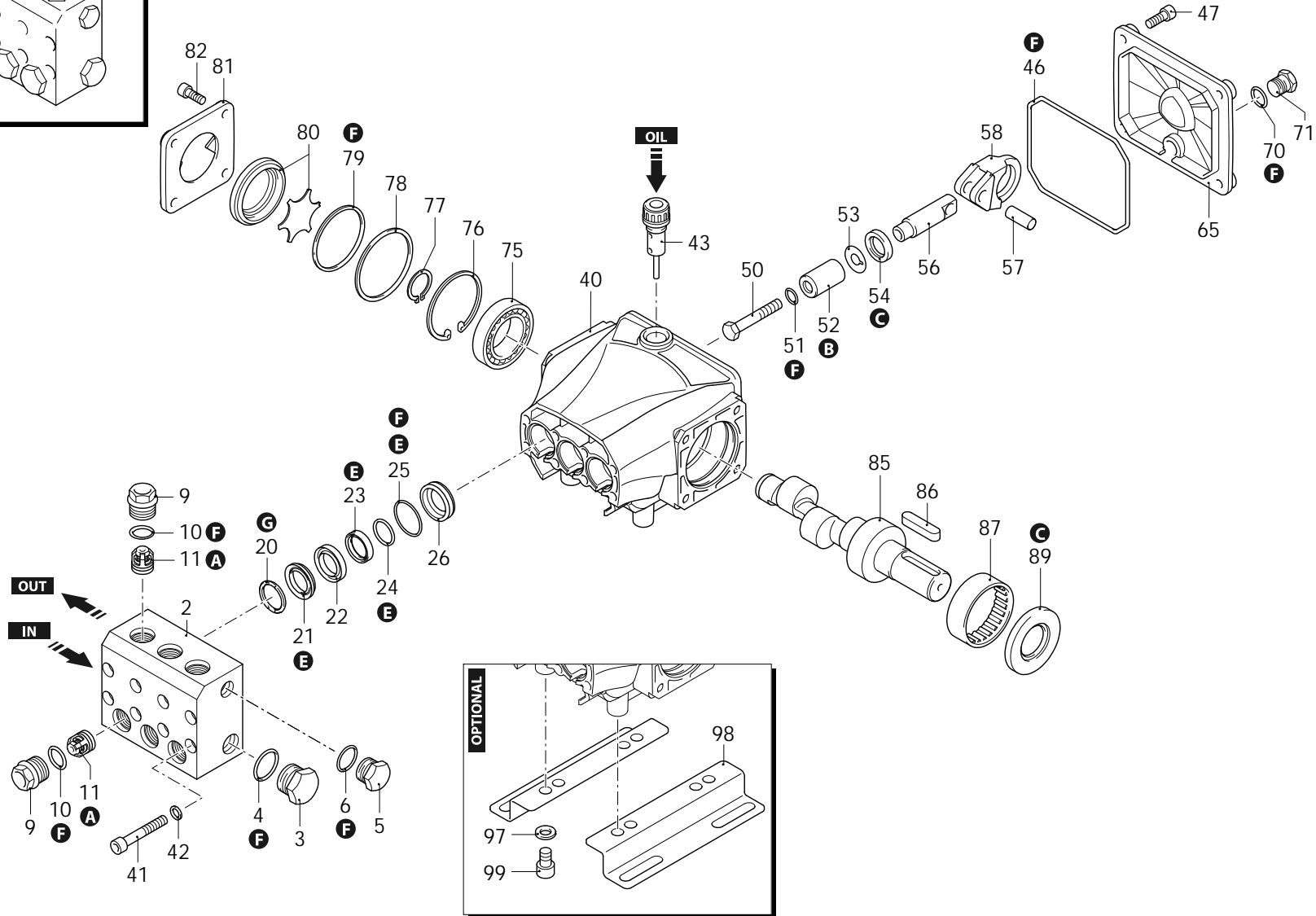
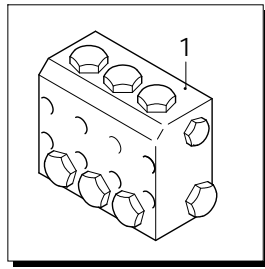
Series Stainless Steel

RC-SS

N

1450rpm

ø 24mm



AR_sStainless_Steel-15_v01

06/06/2024



Series Stainless Steel

RC-SS

N

1450rpm

ø 24mm

P	Code	Description	Q	Assembly prescription	Validity	P	Code	Description	Q	Assembly prescription	Validity
1	3209254	Head assembly	Ø 18	1		80	3209615	Oil level assembly	1		
2	3200810	Head		1		81	3200070	Support	1		
3	2340360	Plug	1/2" G	1	C=30Nm	82	2340250	Screw	4	TCEI M6x14 C=7Nm	
4	180102	O-ring	Ø 17,5x2 Viton	1		85	3200050	Shaft	1	1 marked	
5	2340350	Plug	3/8" G	1	C=20Nm	86	3200230	Key	1		
6	740291	O-ring	Ø 14x1,78 Viton	1		87	1321190	Bearing	1	Assemble with tool [1780610]	
9	3200111	Plug		6	C=24,5Nm / Loxeal 55-14	89	1260750	Ring	1	seal Assemble with tool [1941990]	
10	1200691	O-ring	Ø 15,6x1,78 Viton	6		97	1322640	Washer	4		
11	3209053	Complete valve		6		98	3200210	Foot	2		
20	1780140	Ring	support Ø 18	3		99	850250	Screw	4	TCEI M8x12 C=24,5Nm	
21	1260221	Water seal	Ø 18 Viton	3	Lubricate with grease Molykote PG54	A	47459	Valve kit	1		
22	3200131	Piston guide	front Ø 18	3		B	42467	Piston kit	1	Ø 18	
23	3200143	Gasket	Ø 18 Viton	3	Lubricate with grease Molykote PG54	C	42468	Oil seal kit	1		
24	3200260	Ring	anti-extrusion	3		E	47734	Water seal kit	1	Ø 18 Viton	
25	770191	O-ring	Ø 21,95x1,78 Viton	3		F	47460	Gasket kit	1		
26	3200121	Piston guide	rear Ø 18	3		G	2745	Support ring kit	1	Ø 18	
40	3200010	Pump body		1							
41	801081	Screw	TCEI M6x50	8							
42	1381551	Washer		8							
43	3201890	Oil plug	with oil dipstick	1							
46	2760280	O-ring	Ø 101,27x2,62	1							
47	680560	Screw	TCEI M6x16	4	C=9Nm						
50	3202060	Screw	M5	3							
51	820511	O-ring	Ø 10,82x1,78 Viton	3							
52	1260210	Piston	Ø 18	3							
53	1260091	Plate		3							
54	1260460	Oil seal		3							
56	3202070	Piston	guide	3							
57	1780050	Pin		3							
58	3200040	Connecting-rod	aluminium	3	Lubricate with grease Molykote G807						
65	3200030	Cover		1							
70	820510	O-ring	Ø 10,82x1,78	1							
71	880581	Plug	1/4" G brass	1	C=15Nm / Loxeal 55-14						
75	1780490	Bearing		1							
76	1260790	Ring	seeger Øi 52	1							
77	1780550	Ring	seeger Øe 20	1							
78	3201860	Ring	Ø 51,8x0,5	1							
79	395081	O-ring	Ø 47,30x2,62	1							

Revision: 1

Oil type: SAE 15W40

Validity: < XX/YY = From week/year

Date: 06/06/2024

Oil quantity: 0,260 Kg

C= Tightening torque (Tolerance +0 ÷ -10%)

* = Not present for electric pump

29474 - RC-SS 14.15 N