



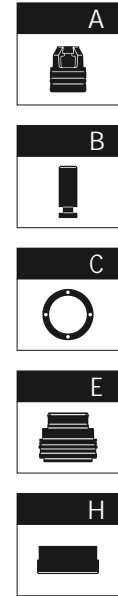
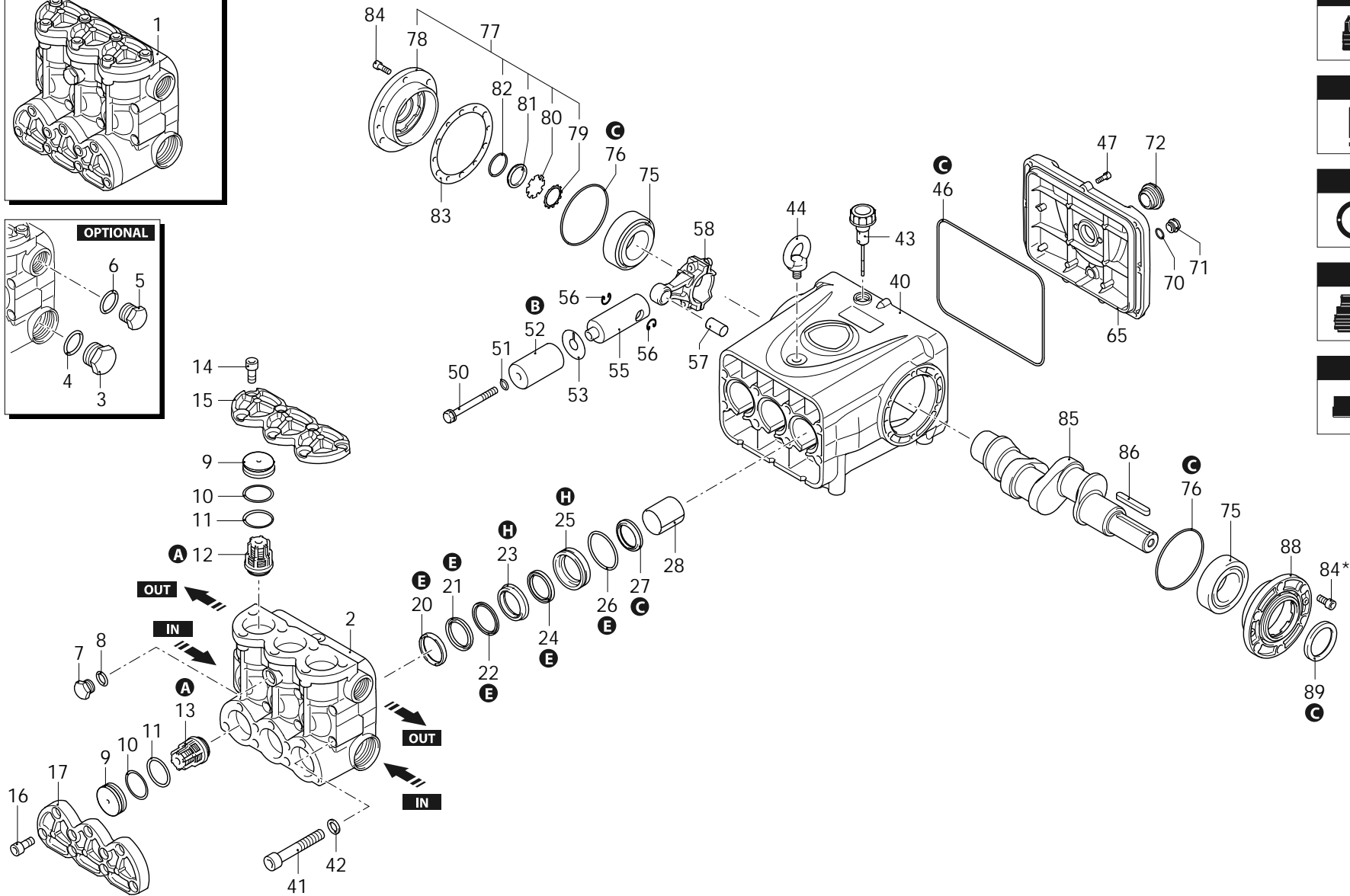
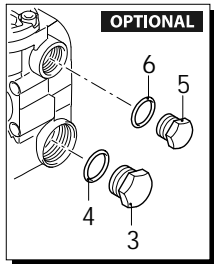
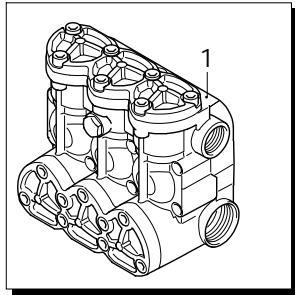
Series 418

RTD

N

1000rpm

ø 35mm



AR\_s418-01\_036

21/06/2024



Series 418

RTD

N

1000rpm

ø 35mm

P	Code	Description	Q	Assembly prescription	Validity	P	Code	Description	Q	Assembly prescription	Validity
1	4189204	Head assembly	1			56	160691	Ring	6	seeger Ø1 18	
2	4180020	Head	1			57	4180090	Pin	3		
3	2822560	Plug	1	1/2" G brass		58	4180820	Connecting-rod	3	bronze	
4	2680150	O-ring	1	Ø 42,52x2,62		65	4180030	Cover	1	C=24,5Nm / Loxeal 55-14	
5	2822550	Plug	1	1" G brass		70	740290	O-ring	1	Ø 14x1,78	Lubricate with grease Molykote PG54
6	390291	O-ring	1	Ø 28,25x2,62		71	2282280	Plug	1	with magnet	C=20Nm
7	820361	Plug	1	1/2" G brass	C=40Nm	72	4180790	Level gauge	1		C=24Nm
8	180101	O-ring	1	Ø 17,5x2	Lubricate with grease Molykote PG54	75	4180570	Bearing	2		
9	4180510	Plug	6			76	2640220	O-ring	2	Ø 94,92x2,62	
10	4180520	Ring	6	anti-extrusion		77	4189000	Cover	1	complete	
11	3680250	O-ring	6	Ø 45,69x2,62		78	4180050	Cover	1		
12	4189051	Valve	3	outlet		79	1941290	Ring	1		
13	4189050	Valve	3	inlet		80	1941260	Plate	1		
14	4180690	Screw	7	TCEI M12x25	C=50Nm	81	1941270	Level gauge	1		
15	4180190	Cover	1			82	100410	O-ring	1	Ø 34,6x2,62	
16	850330	Screw	9	TCEI M12x30	C=85Nm	83	4180260	Shim 0.05mm	1		
17	4180840	Cover	1			83	4180270	Shim 0.10mm	1		
20	4180420	Ring	3	support Ø 36		83	4180280	Shim 0.19mm	1		
21	4180410	Gasket	3	Ø 36	Lubricate with grease Molykote PG54	83	4180290	Shim 0.25mm	1		
22	4180430	Ring	3	anti-extrusion		84	180030	Screw	6	TCEI M8x20	C=24,5Nm
23	4180250	Piston guide	3	front Ø 36		84*	180030	Screw	6	TCEI M8x20	C=24,5Nm
24	4180480	Gasket	3	Ø 36		85	4180060	Shaft	1	3 marked	
25	4180240	Piston guide	3	rear Ø 36		86	2820280	Key	1		
26	1344070	O-ring	3	Ø 60,05x1,78		88	4180040	Cover	1		
27	480671	Ring	3	seal	Assemble with tool [1781000]	89	4180300	Ring	1	seal	Lubricate with grease Molykote PG54
28	4180500	Bushing	3			A	43614	Valve kit	1		
40	4180010	Pump body	1			B	43623	Piston kit	1	Ø 36	
41	2820290	Screw	8	TCEI M12x110	C=85Nm	C	43616	Oil seal kit	1		
42	2820470	Washer	8			E	43625	Water seal kit	1	Ø 36	
43	3660350	Oil plug	1	with oil dipstick		H	43627	Piston guide kit	1	Ø 36	
44	2820330	Eyebolt	1		C=15Nm						
46	4180340	Gasket	1	Ø 240x3							
47	780330	Screw	9	TCEI M6x20	C=10Nm / Loxeal 55-14						
50	4180170	Screw	3		C=30Nm / Loxeal 55-14						
51	2840890	O-ring	3	Ø 14x2							
52	4180150	Piston	3	Ø 36							
53	4180180	Plate	3								
55	4180081	Piston	3	guide							

Revision: 1

Oil type: SAE 15W40

Validity: &lt; XX/YY = From week/year

Date: 21/06/2024

Oil quantity: 3,100 Kg

C= Tightening torque (Tolerance +0 ÷ -10%)

\* = Not present for electric pump

26105 - RTD 130.160 N