



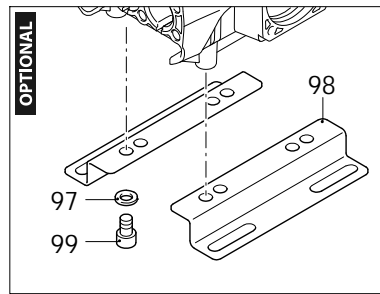
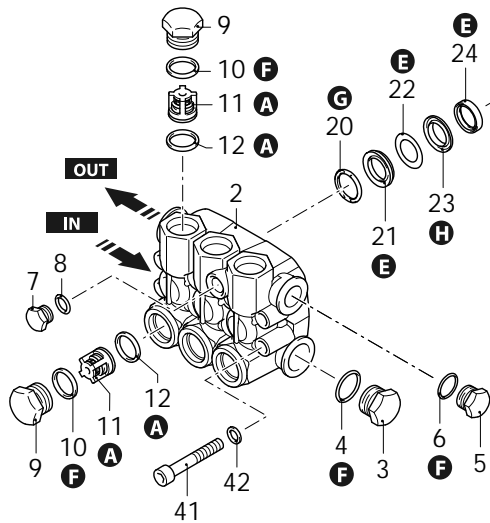
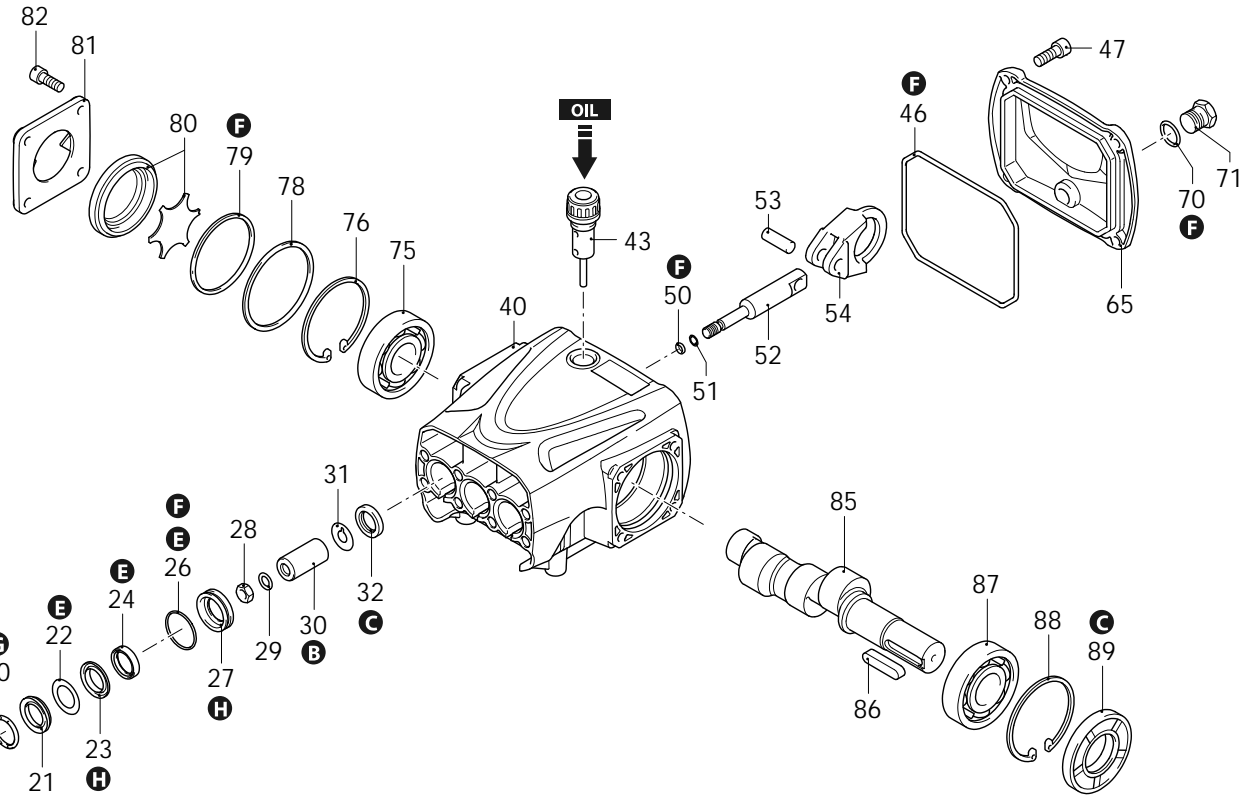
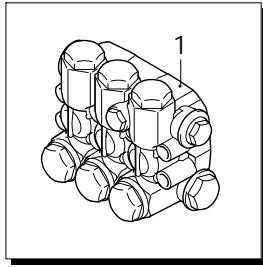
Series 322

RR

N

1450rpm

ø 24mm



AR_s322-01_v01

31/05/2024



Series 322

RR

N

1450rpm

ø 24mm

P	Code	Description	Q	Assembly prescription	Validity	P	Code	Description	Q	Assembly prescription	Validity
1	3229200	Head assembly	1	Ø 18		65	3220030	Cover	1		
2	3220020	Head	1			70	820510	O-ring	1	Ø 10,82x1,78	
3	820361	Plug	1	1/2" G brass		71	880581	Plug	1	1/4" G brass	C=15Nm / Loxeal 55-14
4	180101	O-ring	1	Ø 17,5x2		75	1981210	Bearing	1		
5	1980740	Plug	1	3/8" G brass		76	200390	Ring	1	seeger Øi 62	
6	740290	O-ring	1	Ø 14x1,78		78	3220780	Ring	1	Ø 61,8x57,8x0,5	
7	880581	Plug	1	1/4" G brass		79	650560	O-ring	1	Ø 56,82x2,62	Lubricate with grease Molykote PG54
8	820510	O-ring	1	Ø 10,82x1,78		80	3229603	Oil level assembly	1		
9	960090	Plug	6	brass		81	3200070	Support	1		
10	960160	O-ring	6	Ø 17,86x2,62		82	1200430	Screw	4	TCEI M6x16	C=10Nm / Loxeal 55-14
11	1389051	Complete valve	6			85	3220320	Shaft	1	3 marked	
12	880830	O-ring	6	Ø 15,54x2,62		86	3200230	Key	1		
20	1780140	Ring	3	support Ø 18		87	1981210	Bearing	1		
21	1780720	Water seal	3	Ø 18		88	200390	Ring	1	seeger Øi 62	
22	3200250	Ring	3	anti-extrusion		89	3220280	Ring	1	seal	
23	3220130	Piston guide	3	front Ø 18		97	1322640	Washer	4		
24	3200142	Gasket	3	Ø 18	< 19/22	98	3200210	Foot	2		
24	1260450	Water seal	3	Ø 18		99	850250	Screw	4	TCEI M8x12	C=24,5Nm
25	3200260	Ring	3	anti-extrusion	< 19/22	A	2864	Valve kit	1		
26	770260	O-ring	3	Ø 23,52x1,78		B	2746	Piston kit	1	Ø 18	
27	3220120	Piston guide	3	rear Ø 18	< 19/22	C	42547	Oil seal kit	1		
27	3221030	Piston guide	3	rear Ø 18		E	42549	Water seal kit	1	Ø 18	< 19/22
28	1260110	Nut	3	M8		E	47110	Water seal kit	1	Ø 18	
29	1260100	Washer	3			F	42550	Gasket kit	1		
30	1780080	Piston	3	Ø 18		G	2745	Support ring kit	1	Ø 18	
31	1260091	Plate	3			H	42548	Piston guide kit	1	Ø 18	< 19/22
32	1260460	Oil seal	3			H	47109	Piston guide kit	1	Ø 18	
40	3220010	Pump body	1								
41	800860	Screw	8	TCEI M8x55							
42	1381850	Washer	8								
43	880130	Oil plug	1	with oil dipstick							
46	651540	O-ring	1	Ø 107,62x2,62							
47	3200220	Screw	4	TCEI 6x16							
50	480480	O-ring	3	Ø 4,48x1,78							
51	1080550	Ring	3	anti-extrusion							
52	3220060	Piston	3	guide							
53	3220070	Pin	3								
54	3220040	Connecting-rod	3	aluminium							
				Lubricate with grease Molykote G807							

Revision: 1

Oil type: SAE 15W40

Validity: < XX/YY = From week/year

Date: 31/05/2024

Oil quantity: 0,350 Kg

C= Tightening torque (Tolerance +0 ÷ -10%)

* = Not present for electric pump