

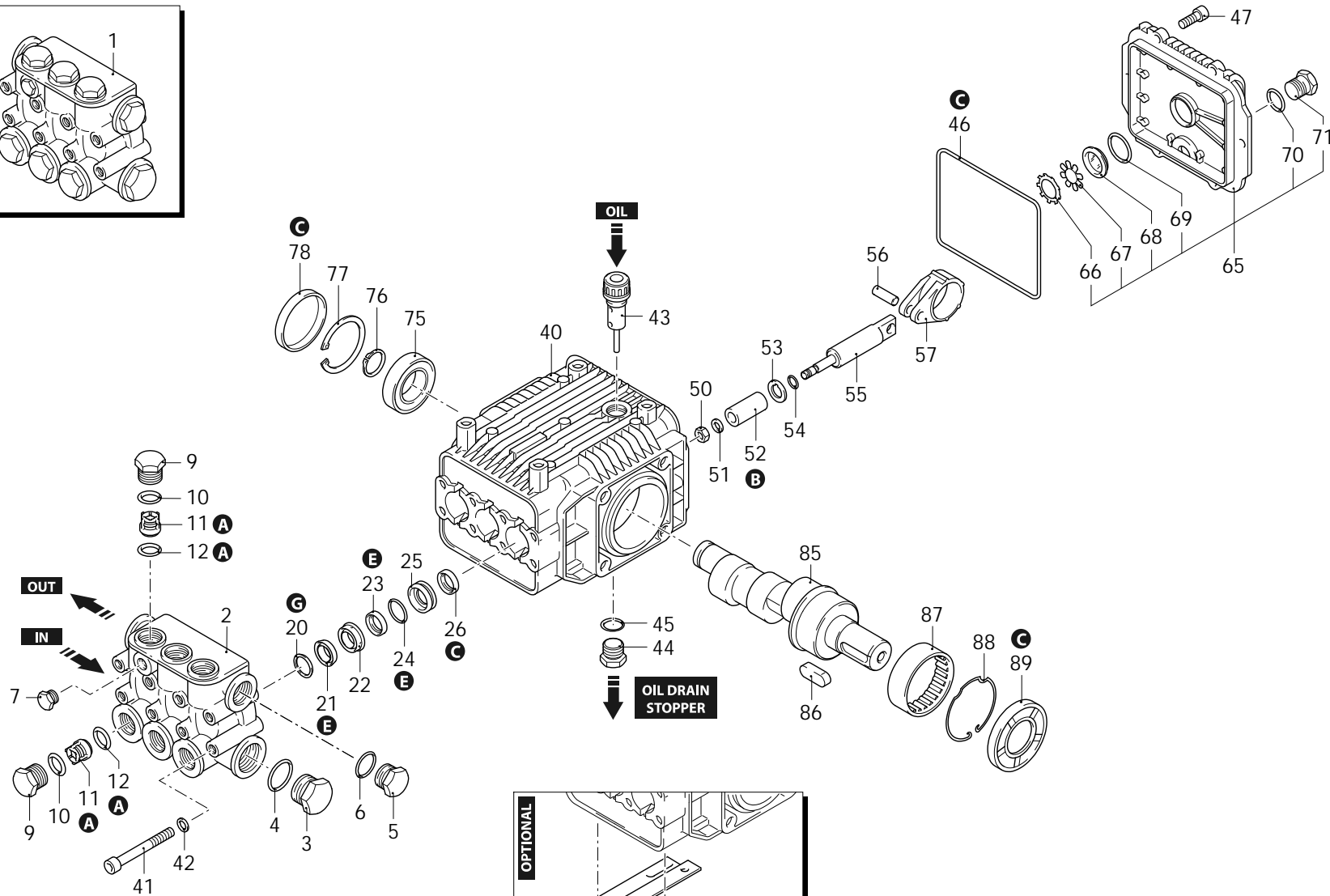
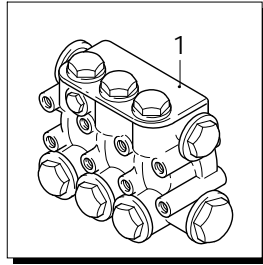


Series 178  
**SXM**

**N**

1450rpm

ø 24mm



- A**
- B**
- C**
- E**
- G**

AR\_s178-01\_v01

31/05/2024



Series 178  
SXM

N

1450rpm

Ø 24mm

P	Code	Description	Q	Assembly prescription	Validity	P	Code	Description	Q	Assembly prescription	Validity
1	1789269	Head assembly	Ø 18	1		69	1140450	O-ring	Ø 20,24x2,62	1	Lubricate with grease Molykote PG54
2	1780020	Head		1		70	740290	O-ring	Ø 14x1,78	1	Lubricate with grease Molykote PG54
3	820361	Plug	1/2" G brass	1	C=40Nm	71	1980740	Plug	3/8" G brass	1	C=20Nm
4	180101	O-ring	Ø 17,5x2	1	Lubricate with grease Molykote PG54	75	1780490	Bearing		1	
5	1980740	Plug	3/8" G brass	1	C=20Nm	76	1780550	Ring	seeger Øe 20	1	
6	740290	O-ring	Ø 14x1,78	1	Lubricate with grease Molykote PG54	77	1260790	Ring	seeger Øi 52	1	
7	620301	Plug	1/8" G	1	Loxeal 55-14	78	1266740	Cover		1	
9	1260160	Plug		6	C=50Nm / Loxeal 55-14	85	1780180	Shaft	4 marked	1	
10	960160	O-ring	Ø 17,86x2,62	6	Lubricate with grease Molykote PG54	86	1380520	Key		1	
11	1269050	Complete valve		6		87	1321190	Bearing		1	Assemble with tool [1780610]
12	880833	O-ring	Ø 15,54x2,62	6	90 Sh	88	1321080	Ring		1	
20	1780140	Ring	support Ø 18	3		89	1260750	Ring	seal	1	Assemble with tool [1941990]
21	1260220	Water seal	Ø 18	3		98	1380141	Foot		2	C=20Nm
22	1780110	Piston guide	front Ø 18	3		99	1263130	Screw	TE M8x12	4	C=20Nm
23	1260450	Water seal	Ø 18	3	Lubricate with grease Molykote PG54	A	2125	Valve kit		1	
24	770260	O-ring	Ø 23,52x1,78	3		B	2746	Piston kit	Ø 18	1	
25	1780120	Piston guide	rear Ø 18	3		C	2786	Oil seal kit		1	
26	1260460	Oil seal		3		E	2747	Water seal kit	Ø 18	1	
40	1780010	Pump body		1		E	2777	Water seal kit	Ø 18 Viton	1	
41	1322730	Screw	TCEI M6x60	8	C=15Nm	G	2745	Support ring kit	Ø 18	1	
42	1381550	Washer		8							
43	880130	Oil plug	with oil dipstick	1							
44	1980740	Plug	3/8" G brass	1	C=20Nm						
45	740290	O-ring	Ø 14x1,78	1	Lubricate with grease Molykote PG54						
46	1780510	O-ring	Ø 106x3	1							
47	1200430	Screw	TCEI M6x16	6	C=10Nm / Loxeal 55-14						
50	1260110	Nut	M8	3	C=12Nm / Loxeal 55-14						
51	1260100	Washer		3							
52	1780080	Piston	Ø 18	3							
53	1260091	Plate		3							
54	480480	O-ring	Ø 4,48x1,78	3							
55	1780060	Piston	guide	3							
56	1780050	Pin		3							
57	1780710	Connecting-rod	bronze	3							
65	1789010	Cover	complete	1							
66	1260430	Ring		1							
67	1780690	Plate		1							
68	1260250	Level gauge		1							

Revision: 1

Oil type: SAE 15W40

Validity: < XX/YY = From week/year

Date: 31/05/2024

Oil quantity: 0,415 Kg

C= Tightening torque (Tolerance +0 ÷ -10%)

\* = Not present for electric pump