



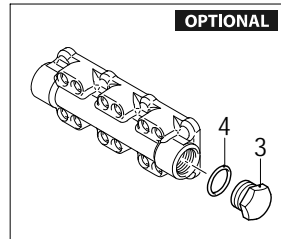
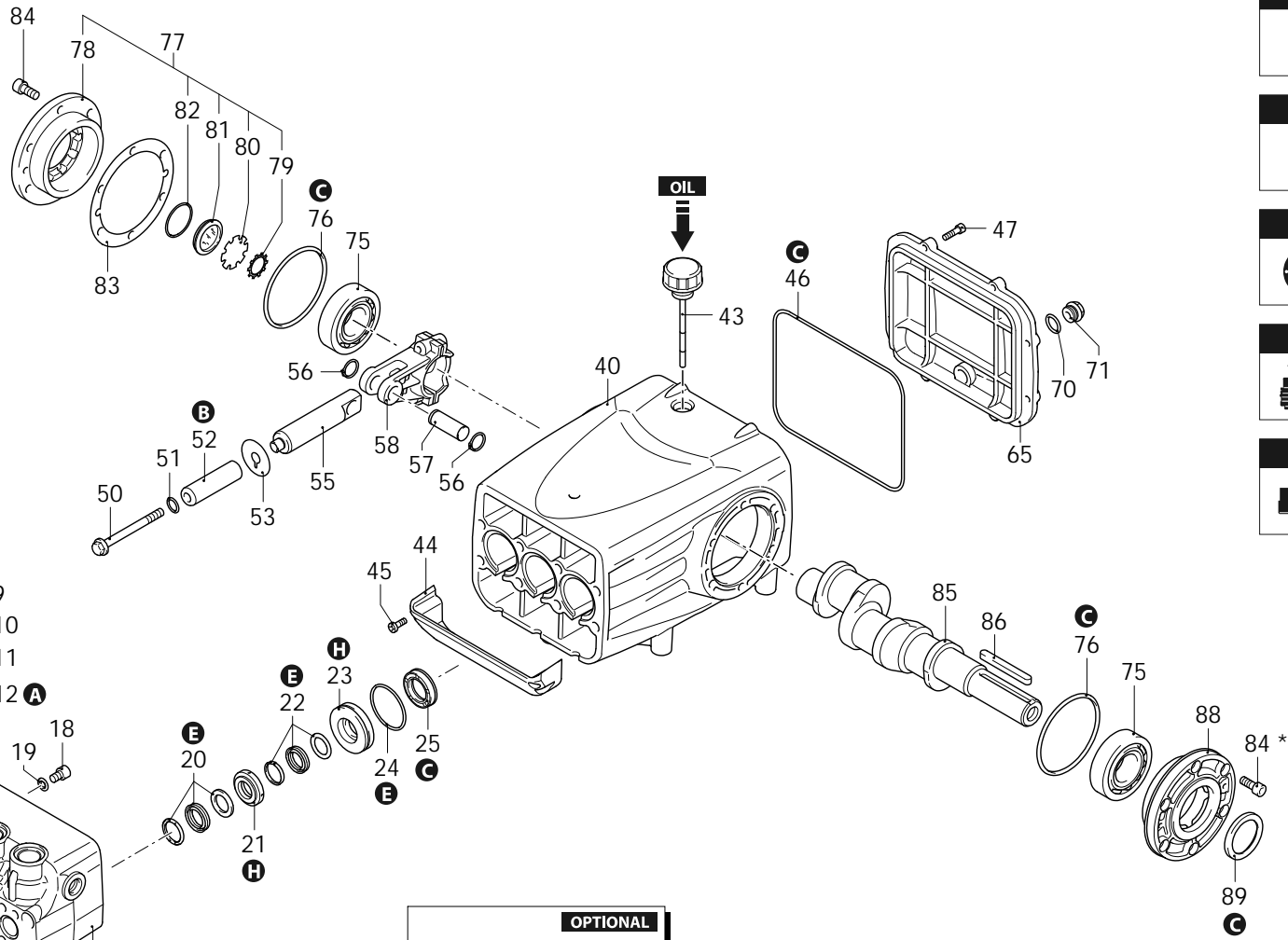
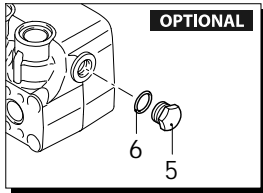
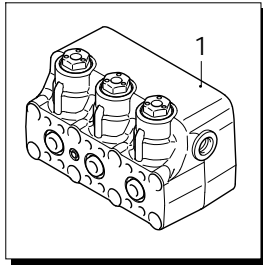
Series 366

RTX

N

1450rpm

ø 30mm



- A**
- B**
- C**
- E**
- H**

AR_s366-04_v01

10/07/2024



Series 366

RTX

N

1450rpm

ø 30mm

P	Code	Description	Q	Assembly prescription	Validity	P	Code	Description	Q	Assembly prescription	Validity
1	3669207	Head assembly	Ø 20	1		58	3660990	Connecting-rod	bronze	3	C=22Nm / Loxeal 55-14
2	3660960	Head		1		65	3660030	Cover		1	
3	1140480	Plug	3/4" G nickel	1	C=35Nm	70	740290	O-ring	Ø 14x1,78	1	Lubricate with grease Molykote PG54
4	550350	O-ring	Ø 23,81x2,62	1		71	2282280	Plug	with magnet	1	C=20Nm
5	3661300	Plug	3/8" G	1	C=50Nm	75	3660290	Bearing		2	
6	740290	O-ring	Ø 14x1,78	1	Lubricate with grease Molykote PG54	76	3660740	O-ring	Ø 83x3	2	
9	1941800	Plug	nickel	3	C=60Nm / Loxeal 55-14	77	3669002	Cover		1	
10	1941070	Ring	anti-extrusion	3		78	3660050	Cover		1	
11	880830	O-ring	Ø 15,54x2,62	3	Lubricate with grease Molykote PG54	79	1941290	Ring		1	
12	3669052	Complete valve		6		80	1941260	Plate		1	
13	720030	O-ring	Ø 22,22x2,62	3		81	1941270	Level gauge		1	
14	800560	O-ring	Ø 8,73x1,78	1	Lubricate with grease Molykote PG54	82	100410	O-ring	Ø 34,6x2,62	1	
15	3660970	Suction fitting		1		83	3660260	Shim 0.05mm		1	
16	3661030	Screw	TCEI M8x40	12		83	3660270	Shim 0.10mm		1	
17	1381850	Washer		12		83	3660280	Shim 0.19mm		1	
18	850252	Screw	TCEI M8x12	3	C=20Nm / Loxeal 55-14	84	180030	Screw	TCEI M8x20	6	C=24,5Nm
19	2820500	Washer	with seals	3		84*	180030	Screw	TCEI M8x20	6	C=24,5Nm
20	2822630	Sealing system	primary	3	Lubricate with grease Molykote PG54	85	3660060	Shaft	3 marked	1	
21	2820380	Piston guide	front Ø 20	3	Lubricate with grease Molykote PG54	86	3660320	Key		1	
22	3660430	Sealing system	primary Ø 20	3	Lubricate with grease Molykote PG54	88	3660040	Cover		1	
23	3660240	Piston guide	rear Ø 20	3	Lubricate with grease Molykote PG54	89	3660300	Ring	seal	1	
24	1320360	O-ring	Ø 47,35x1,78	3		A	43762	Valve kit		1	
25	3660310	Ring	seal	3		B	42836	Piston kit	Ø 20	1	
40	3660010	Pump body		1		C	42840	Oil seal kit		1	
41	3661020	Screw	TCEI M10x110	8	C=50Nm	E	43763	Water seal kit	Ø 20	1	
42	650530	Washer		8		H	43764	Piston guide kit	Ø 20	1	
43	3660350	Oil plug	with oil dipstick	1							
44	3661000	Guard		1							
45	2020570	Screw	TC 4x12	2							
46	3660360	O-ring	Ø 183,82x2,62	1							
47	780330	Screw	TCEI M6x20	8	C=10Nm / Loxeal 55-14						
50	3660170	Screw		3	C=20Nm / Loxeal 55-14						
51	3660341	O-ring	Ø 12x2	3	90 Sh						
52	3660160	Piston	Ø 20	3							
53	3660180	Plate		3							
55	3660081	Piston	guide	3							
56	3660330	Ring		6							
57	3660090	Pin		3							

Revision: 1

Oil type: SAE 15W40

Validity: < XX/YY = From week/year

Date: 10/07/2024

Oil quantity: 2,000 Kg

C= Tightening torque (Tolerance +0 ÷ -10%)

* = Not present for electric pump